

www.buzon-world.com

PB Series

Installation manual (Laying of a wooden deck)

Summary

Layout for area

Pedestals height adjustment

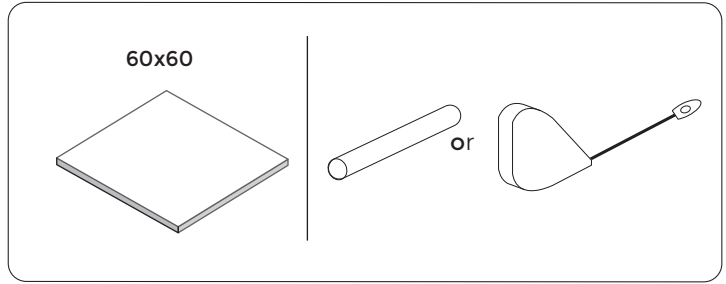
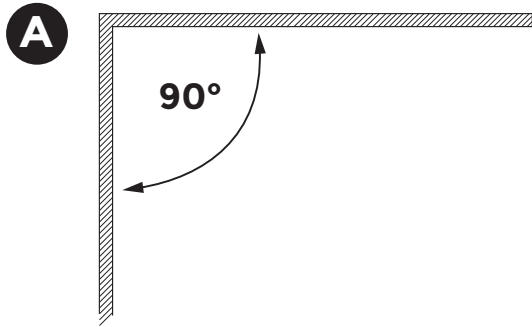
Determine the value and the direction of the slope with the Buzon level

Use of slope corrector U-PH5

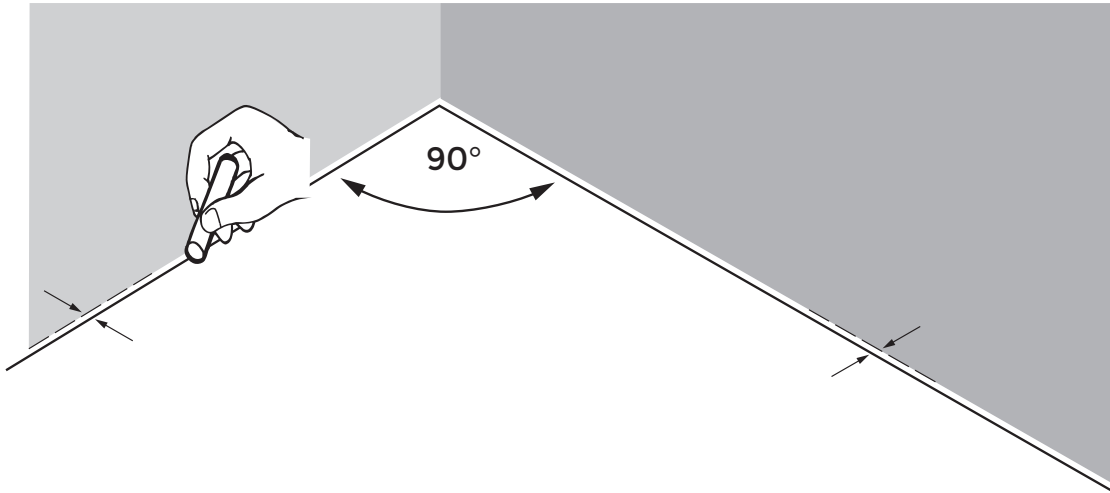
PB-KIT 5 : use with wood joist

Laying of a wooden deck

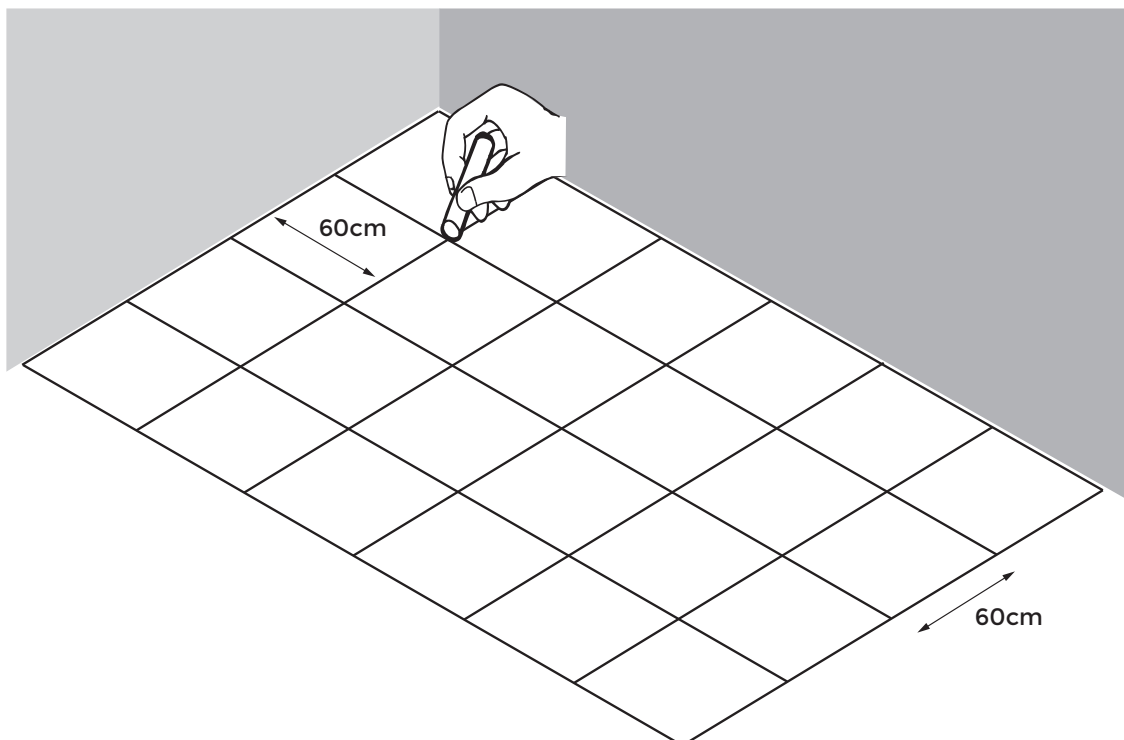




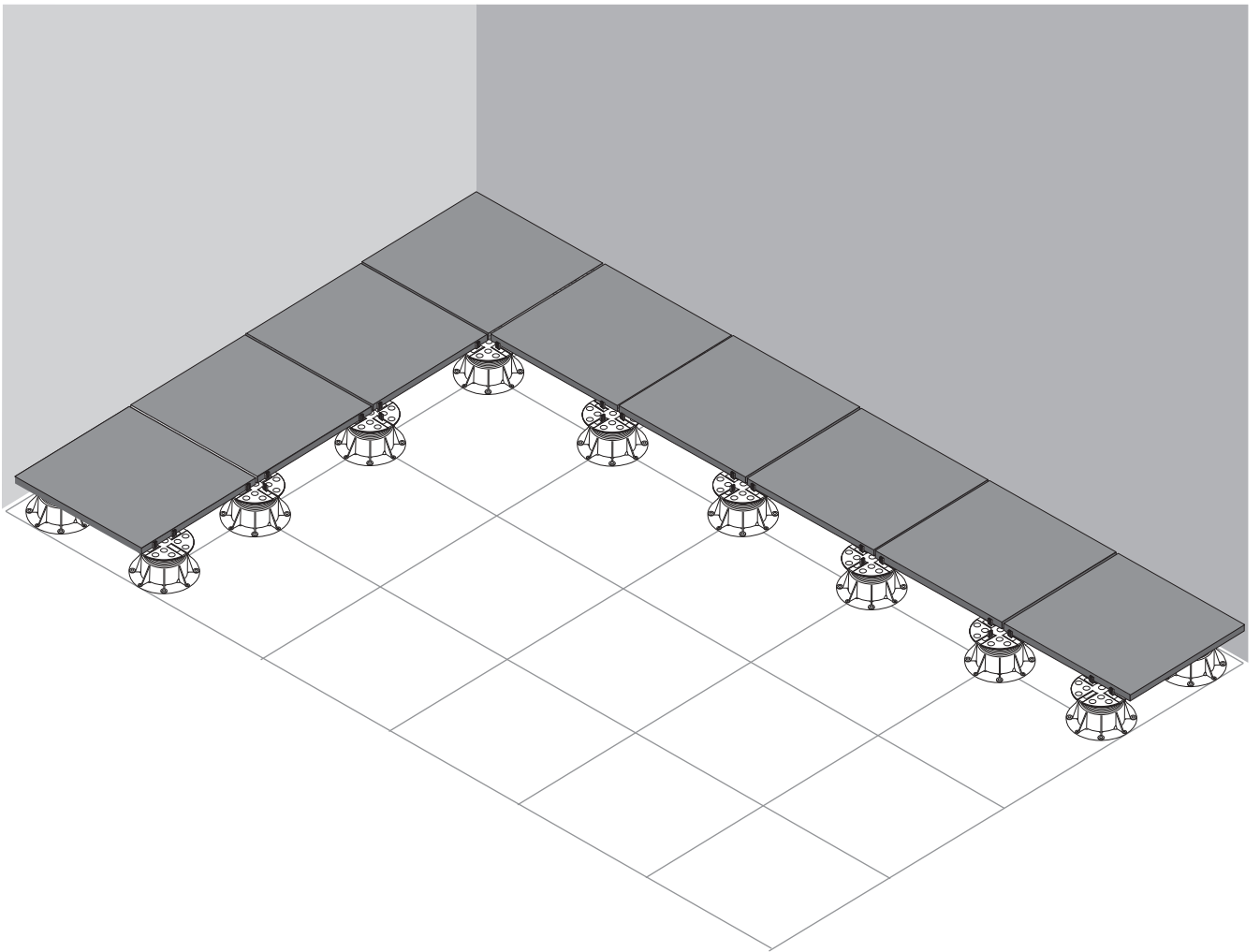
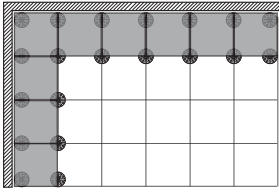
1 **A** = 90°

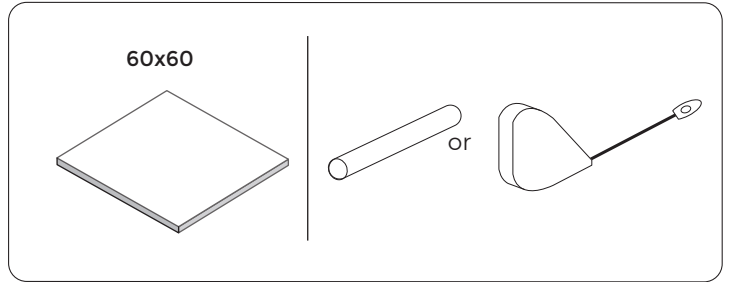
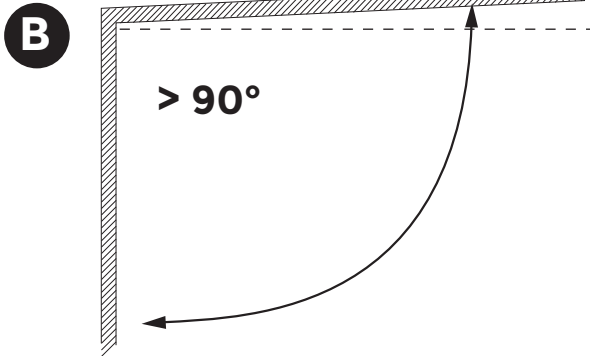


2

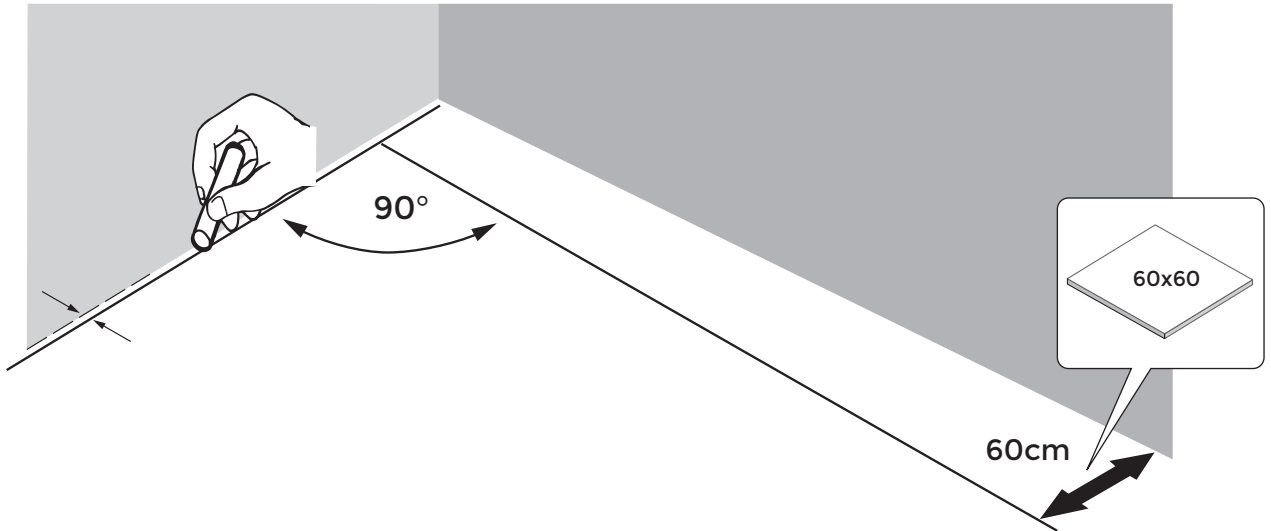


3

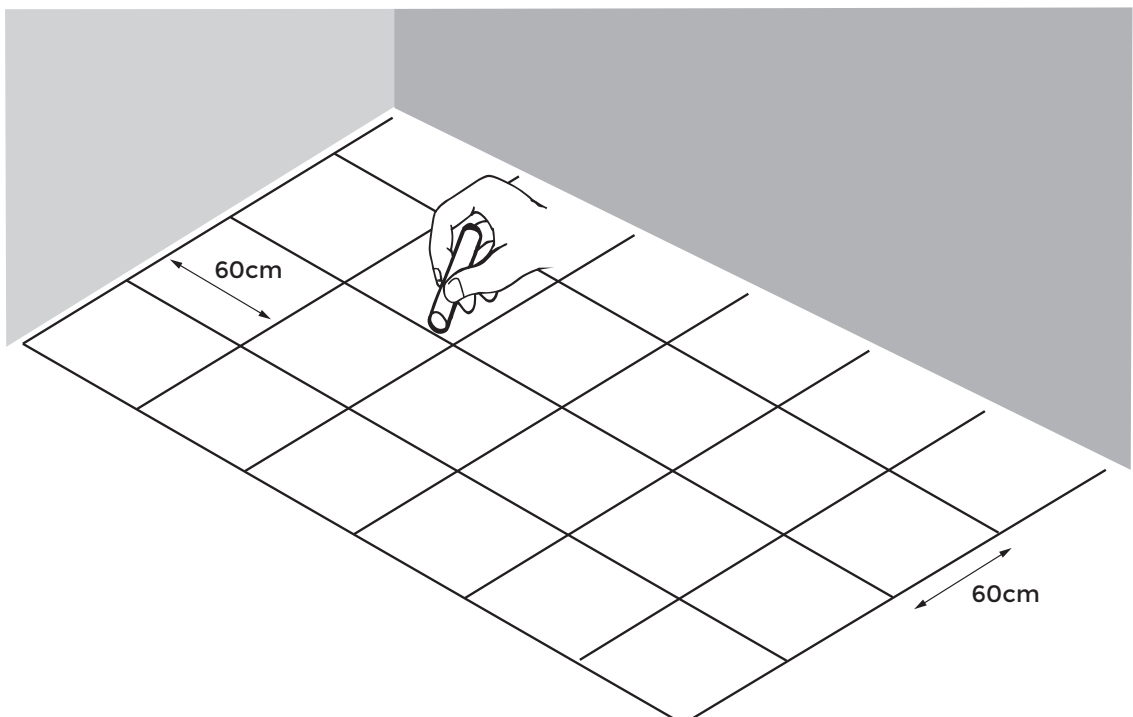




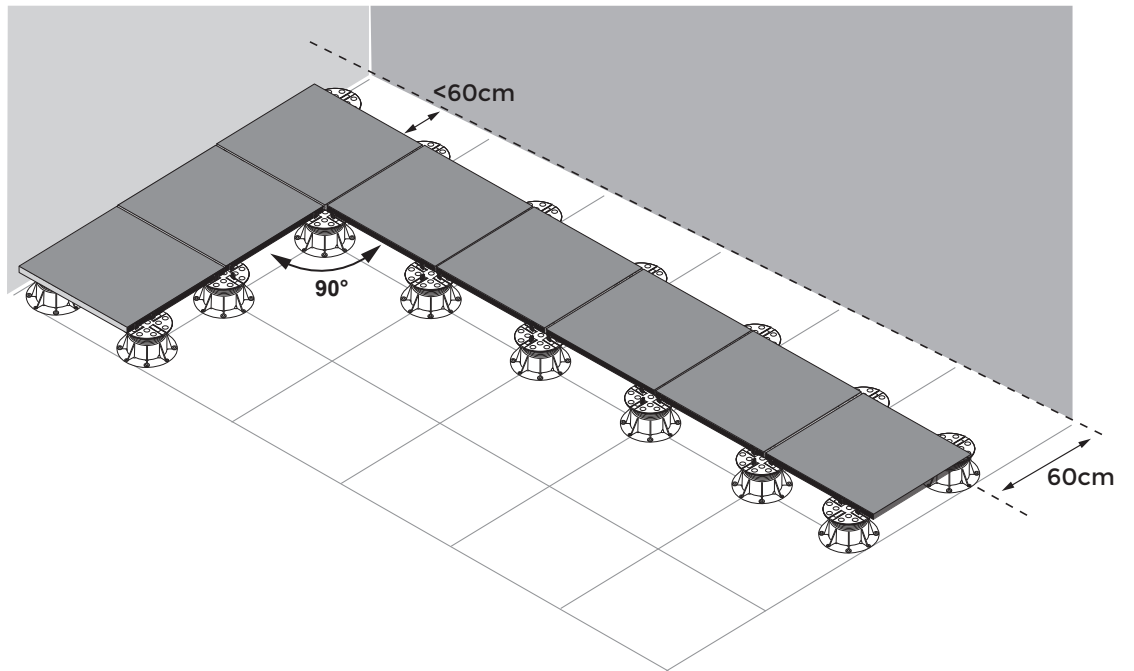
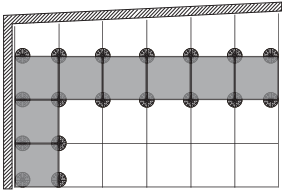
1 **B** > 90°



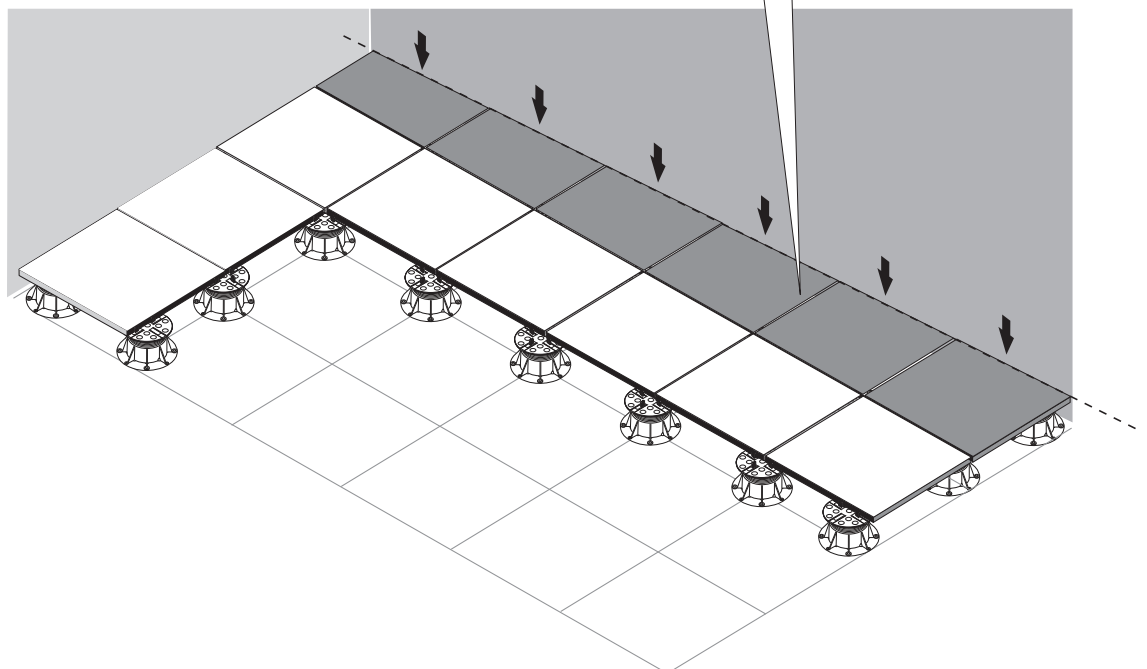
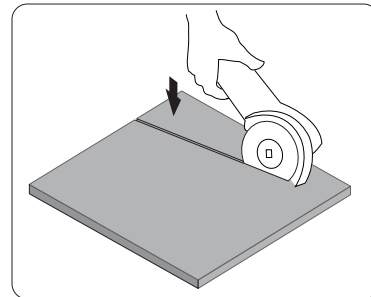
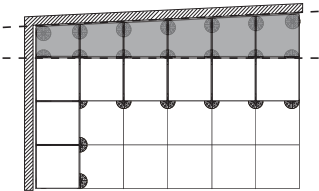
2

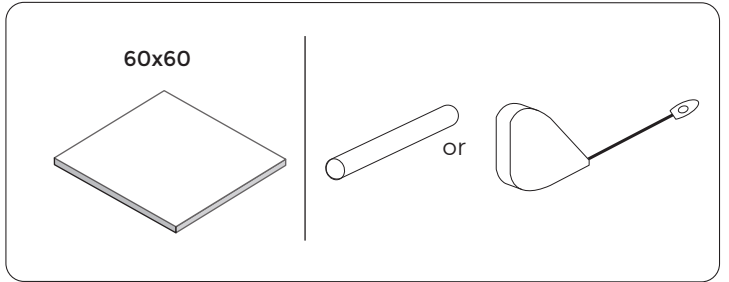
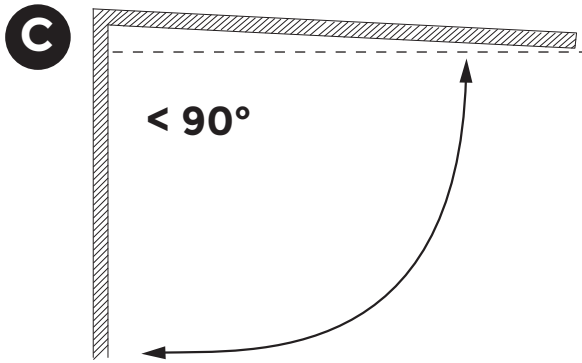


3

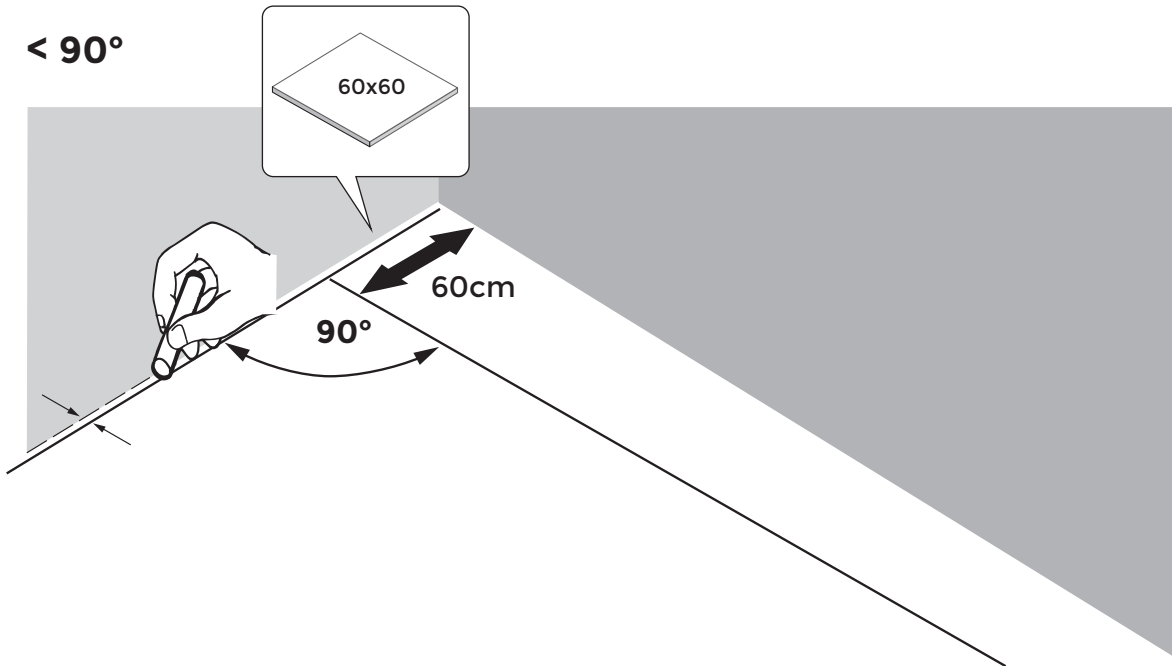


4

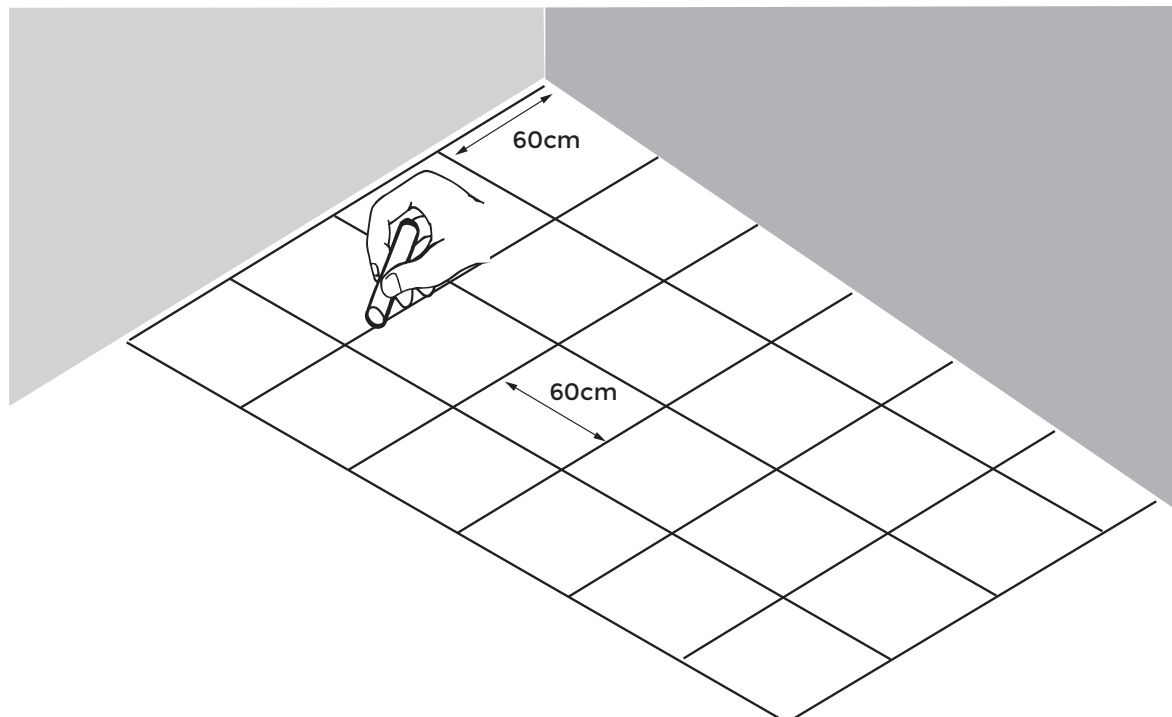




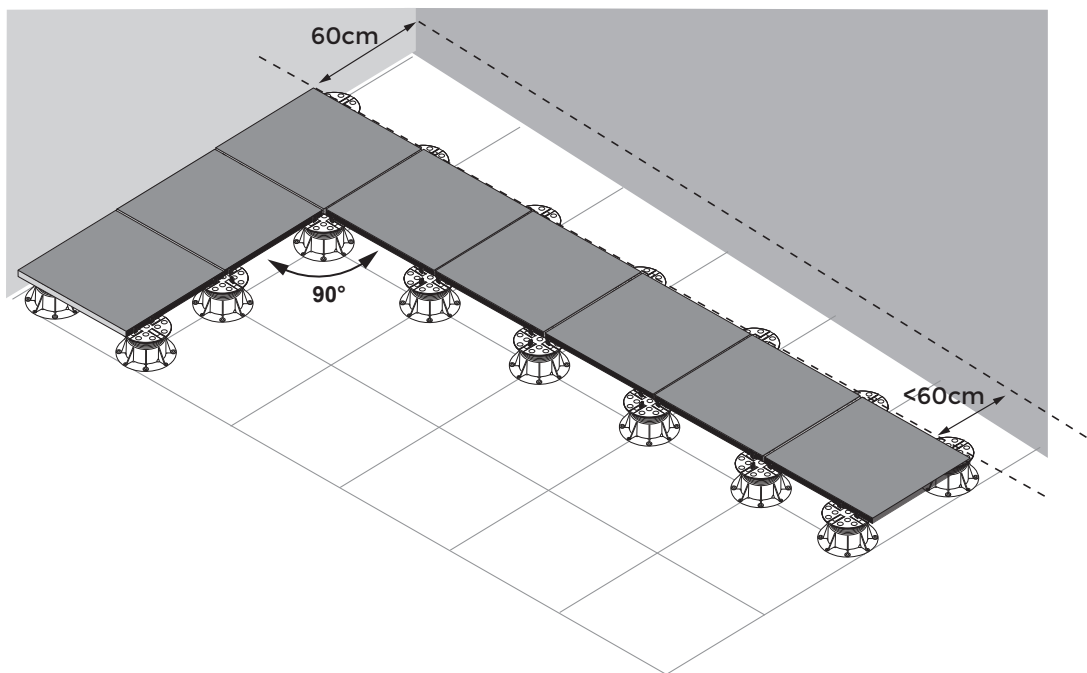
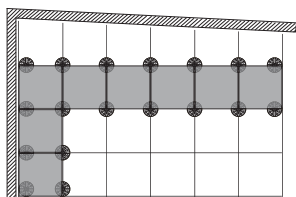
1 **C** $< 90^\circ$



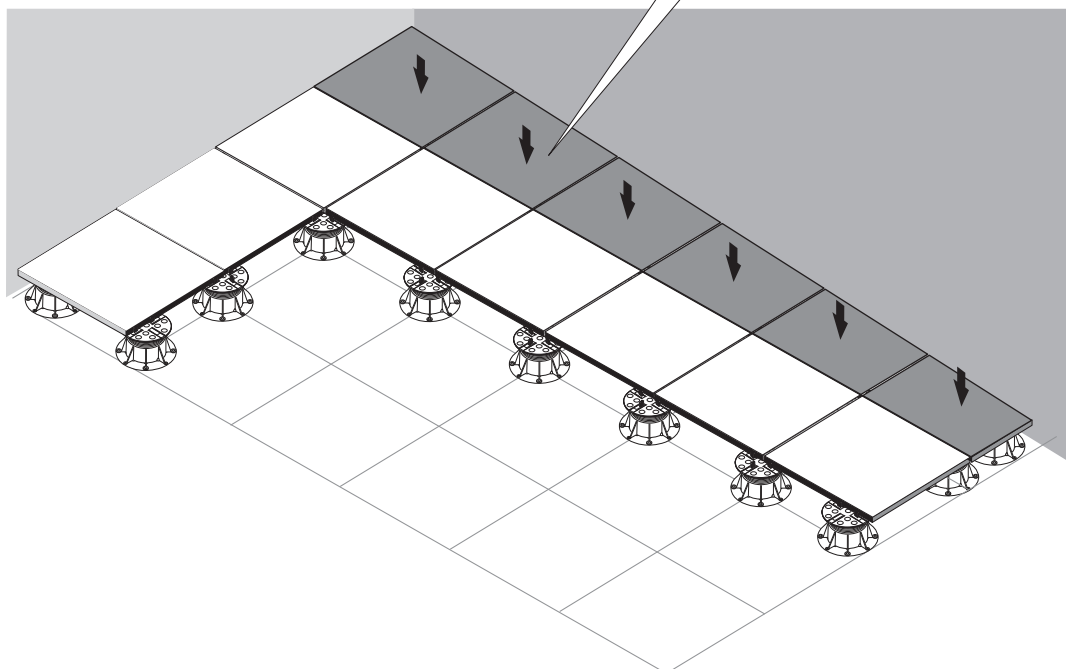
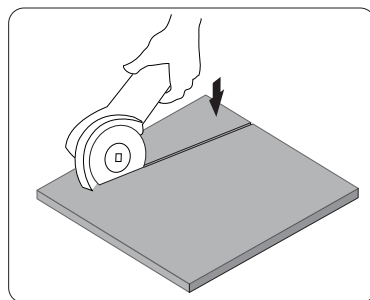
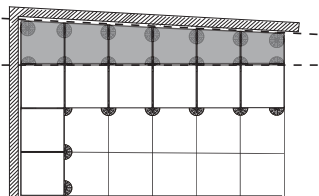
2



3

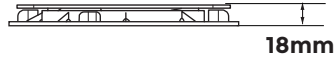
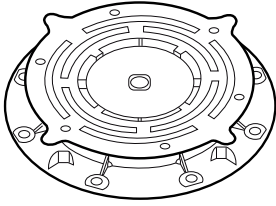


4

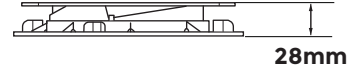




PB-0-S18 18-28mm

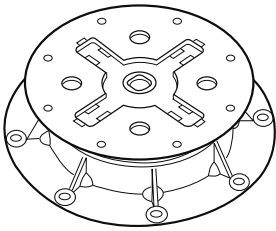


18mm

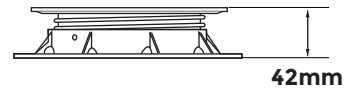


28mm

PB-01 28-42mm

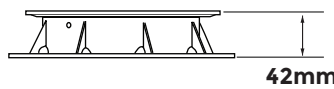
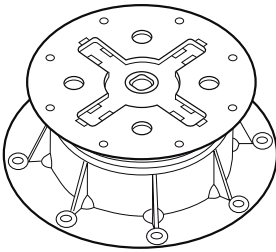


28mm

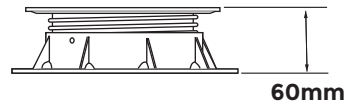


42mm

PB-1 42-60mm

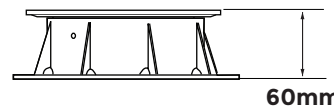
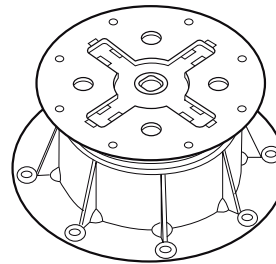


42mm

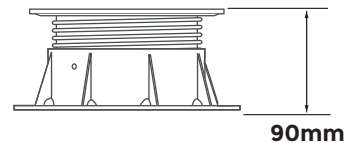


60mm

PB-2 60-90mm

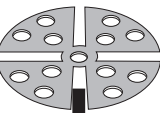


60mm



90mm

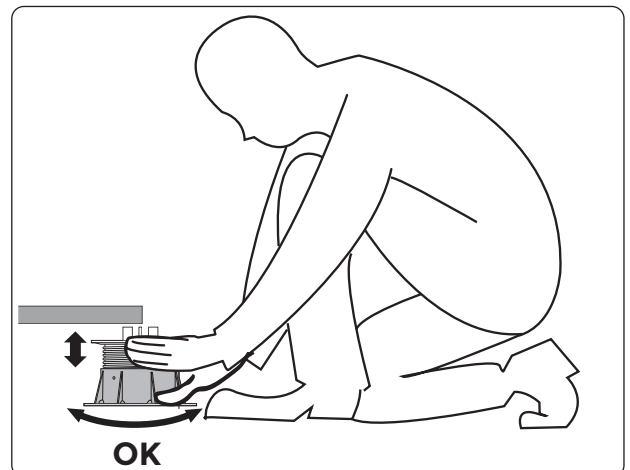
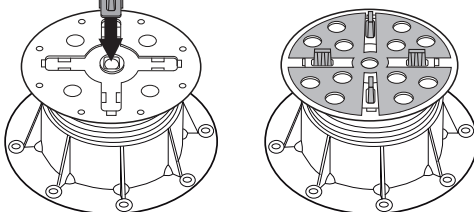
U-E20 2mm



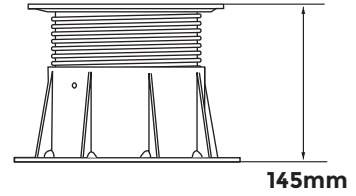
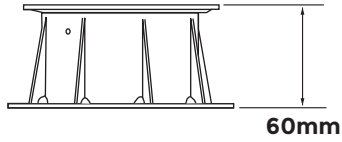
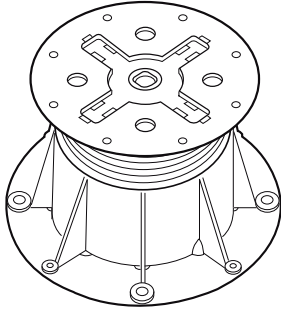
PB-Tabs



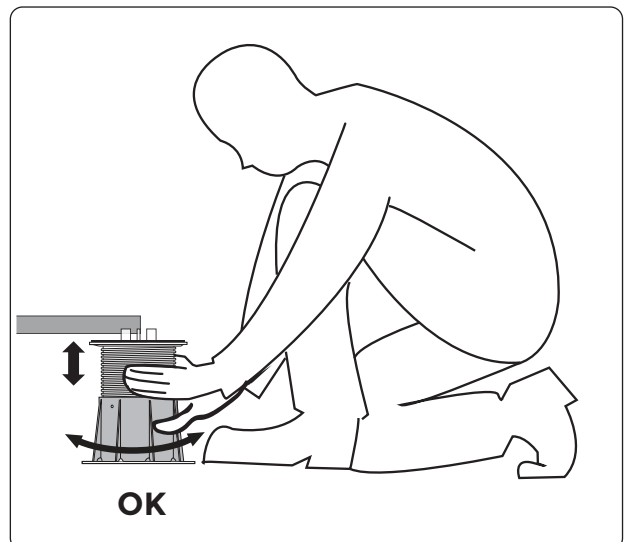
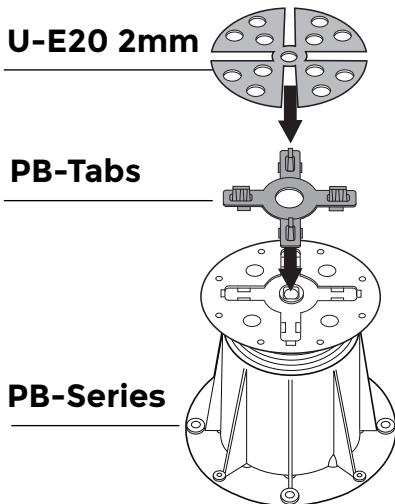
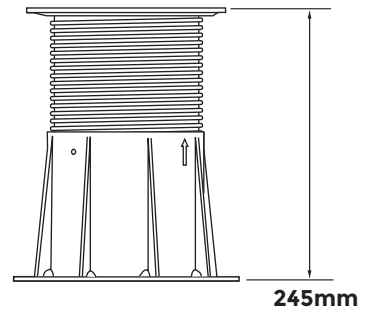
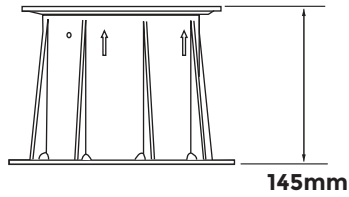
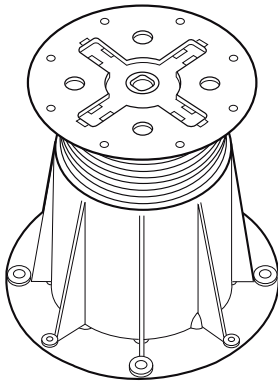
PB-Series

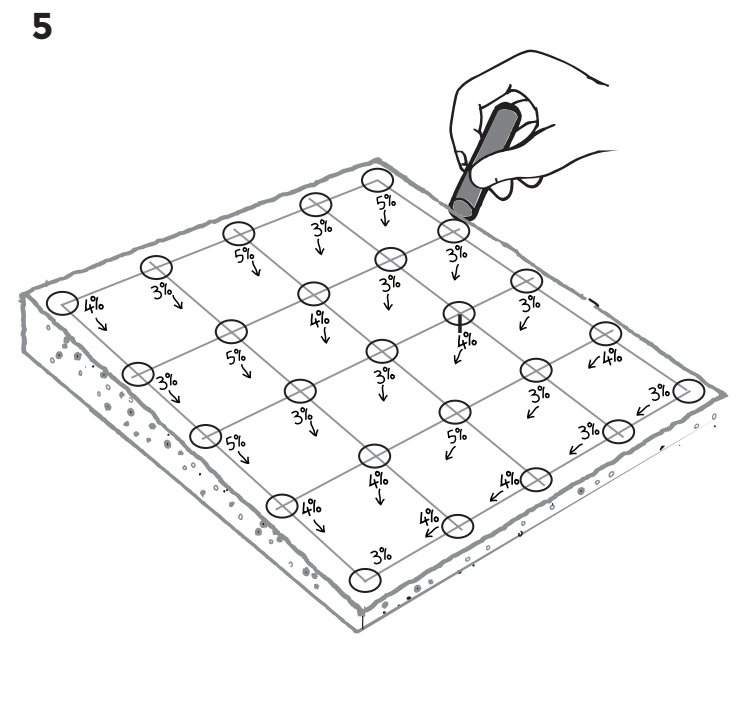
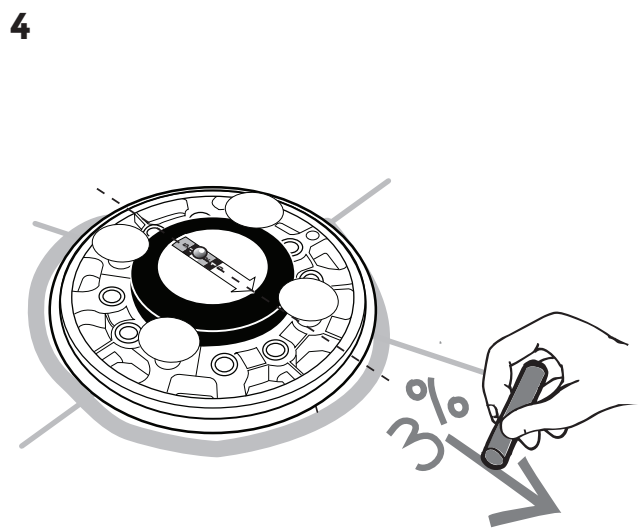
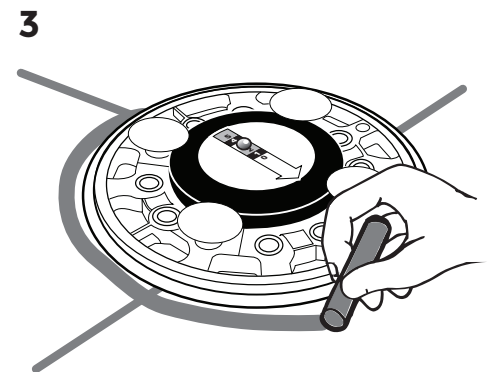
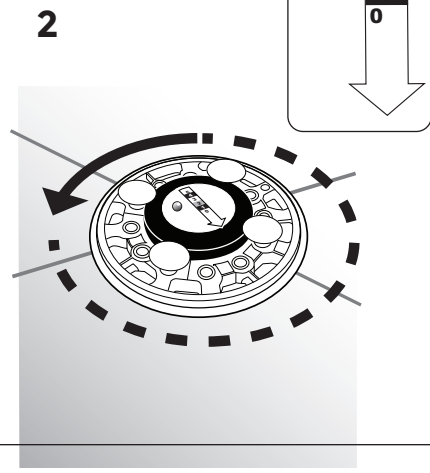
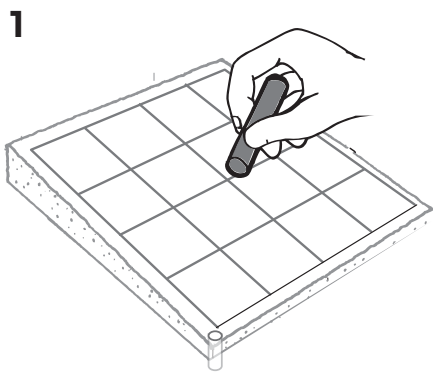
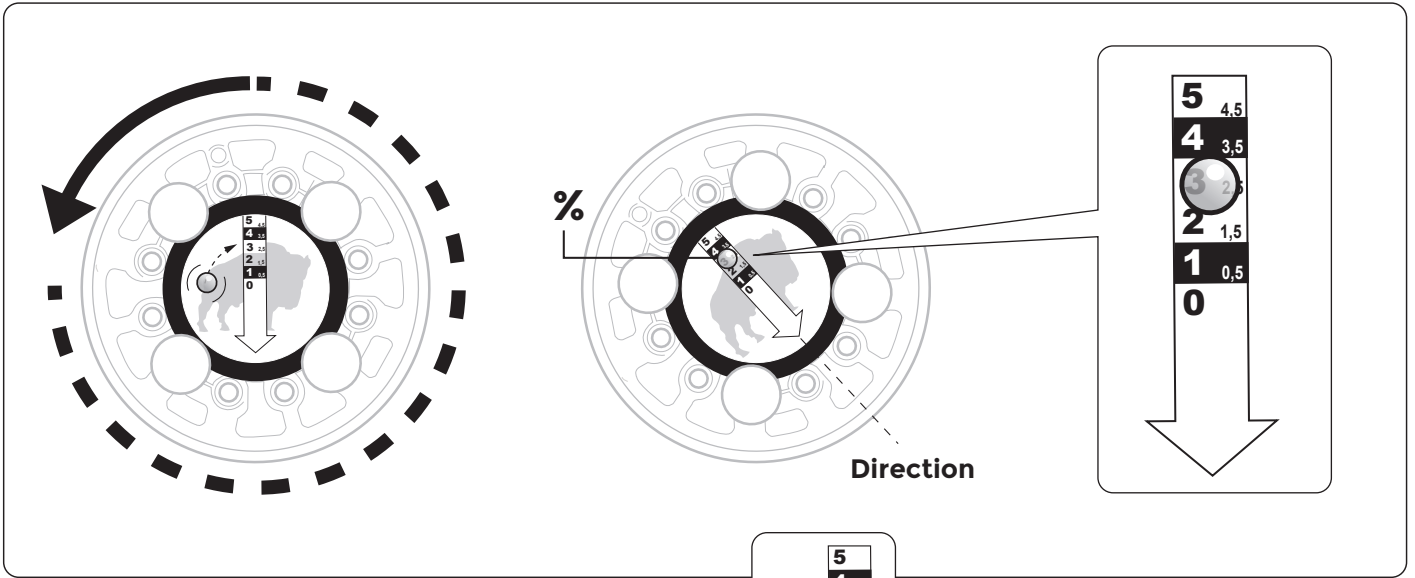


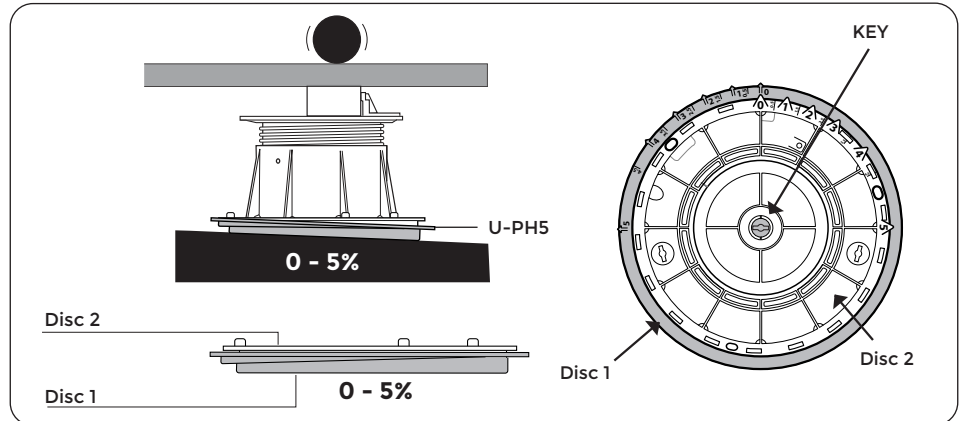
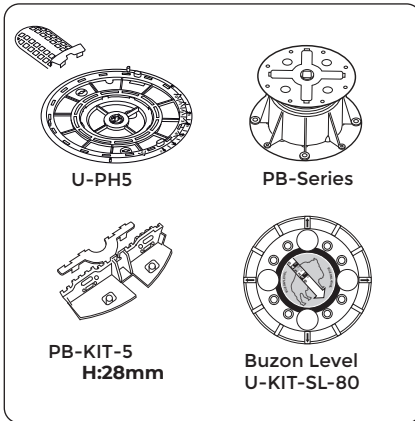
PB-3 90-145mm



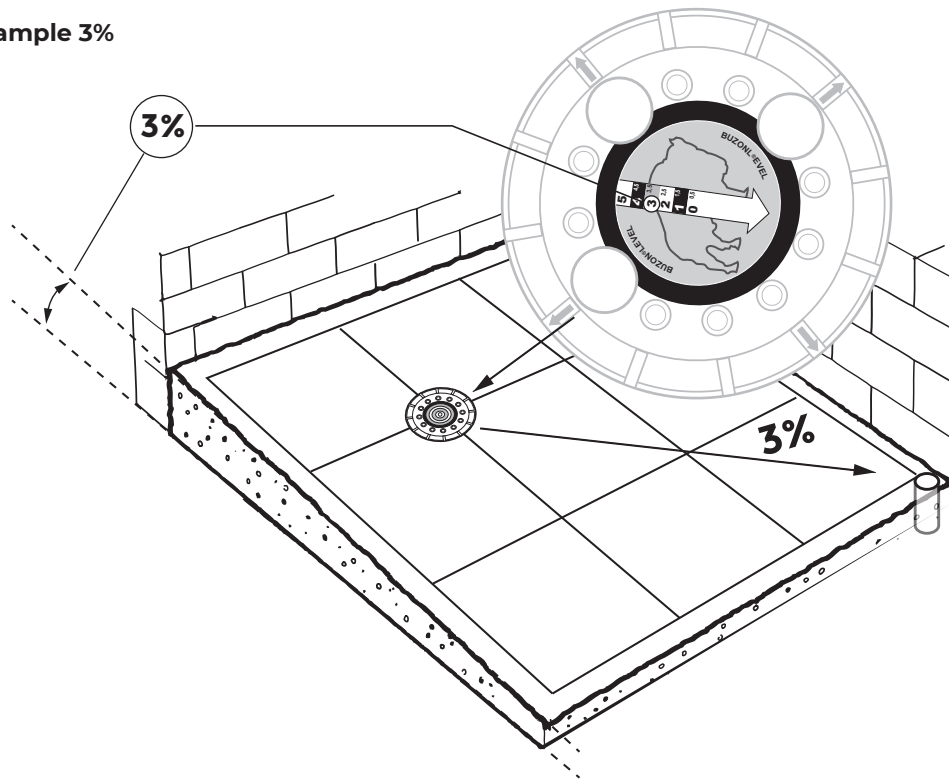
PB-4 145-245mm



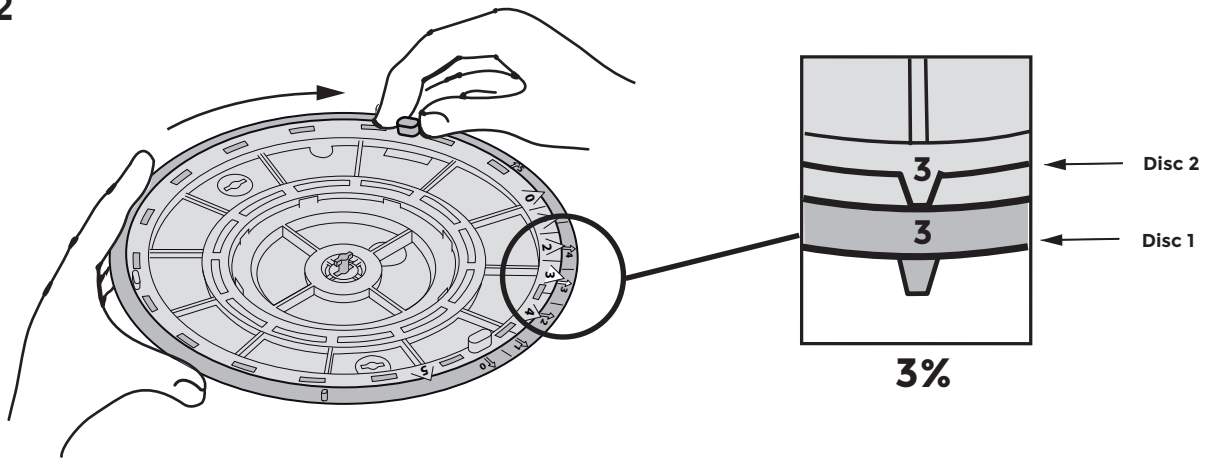


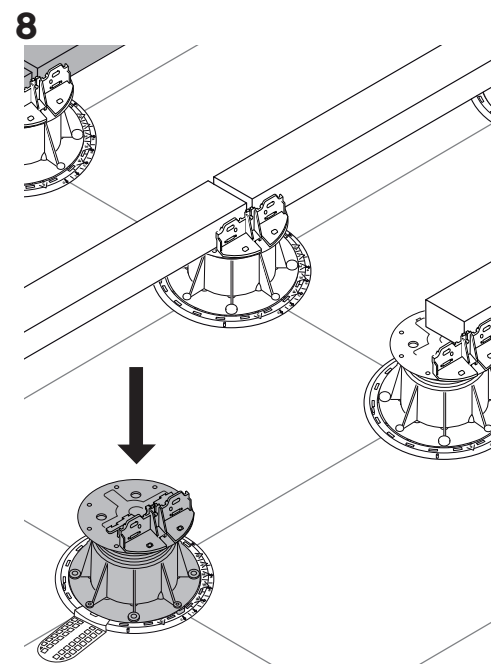
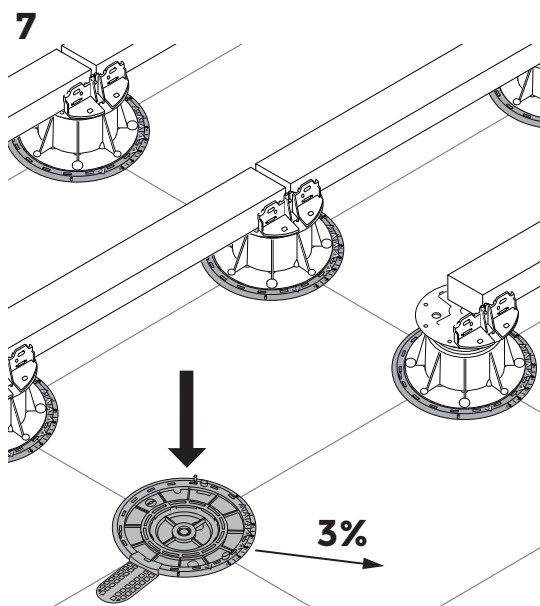
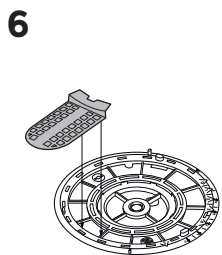
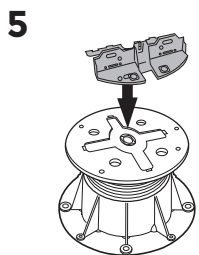
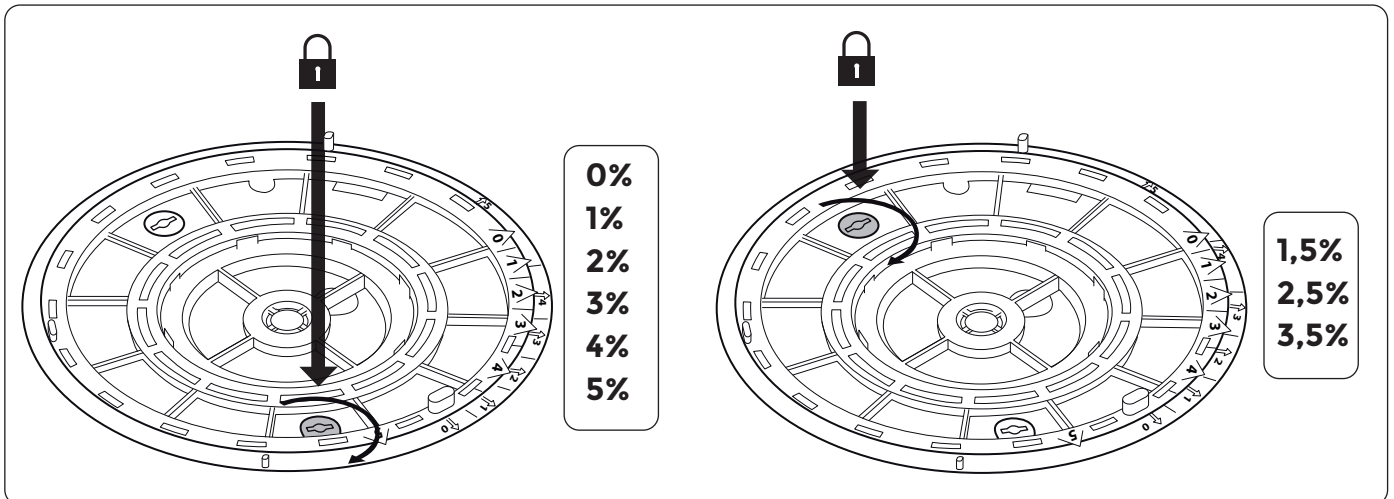
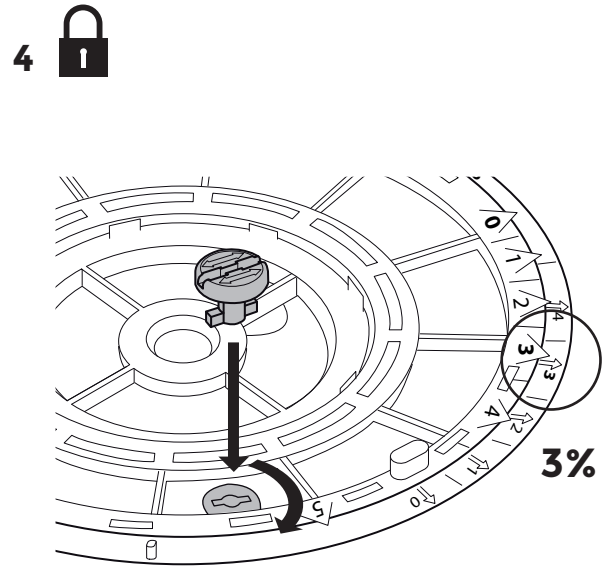
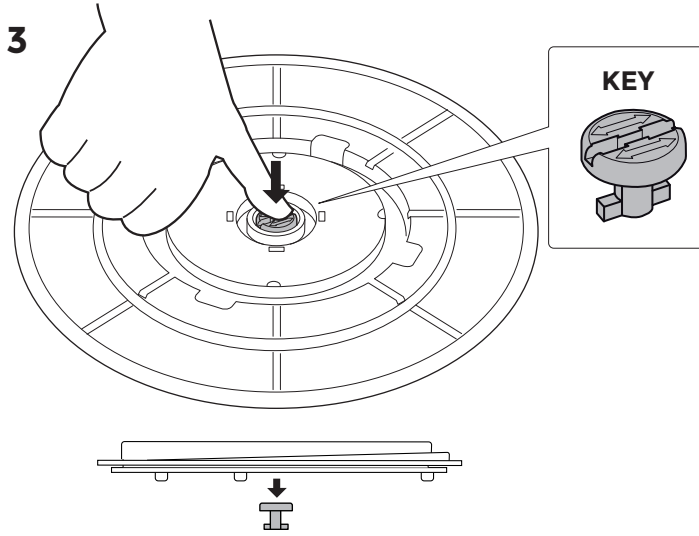


1 Example 3%

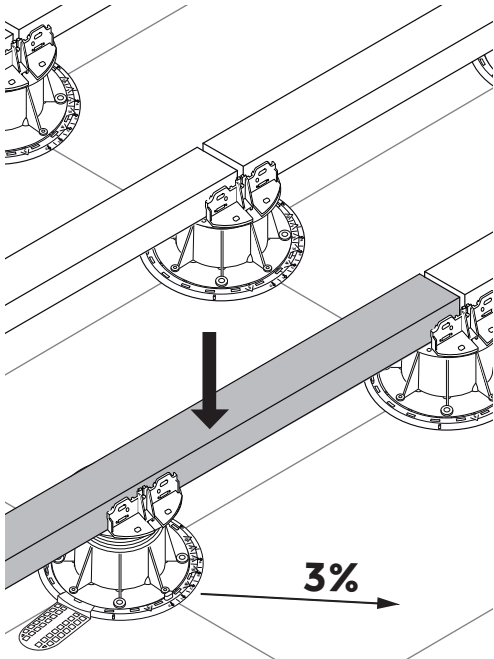


2

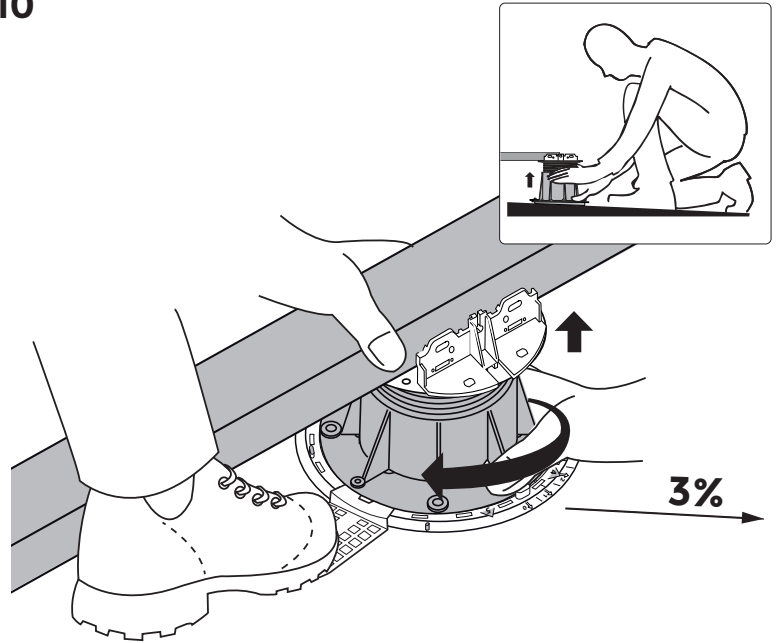




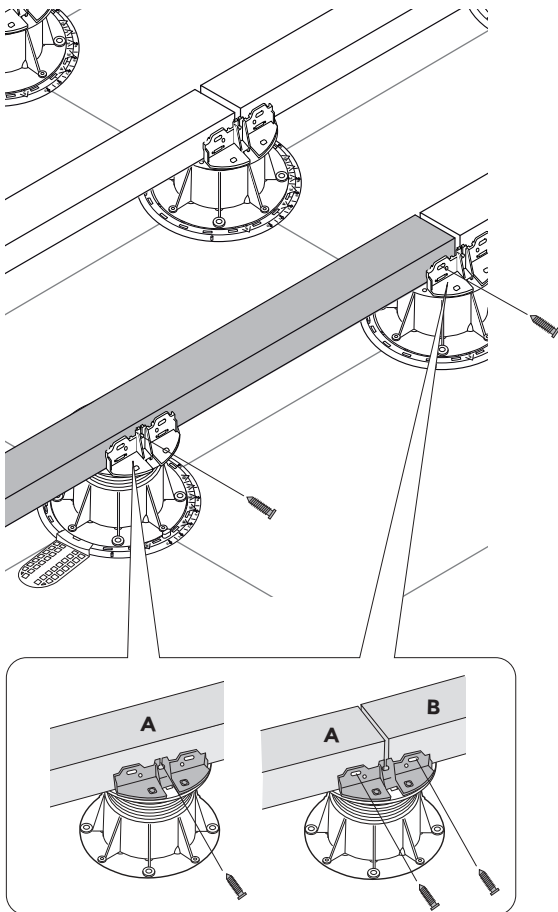
9



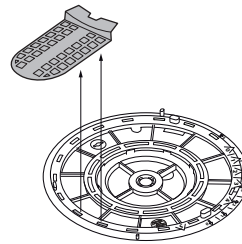
10



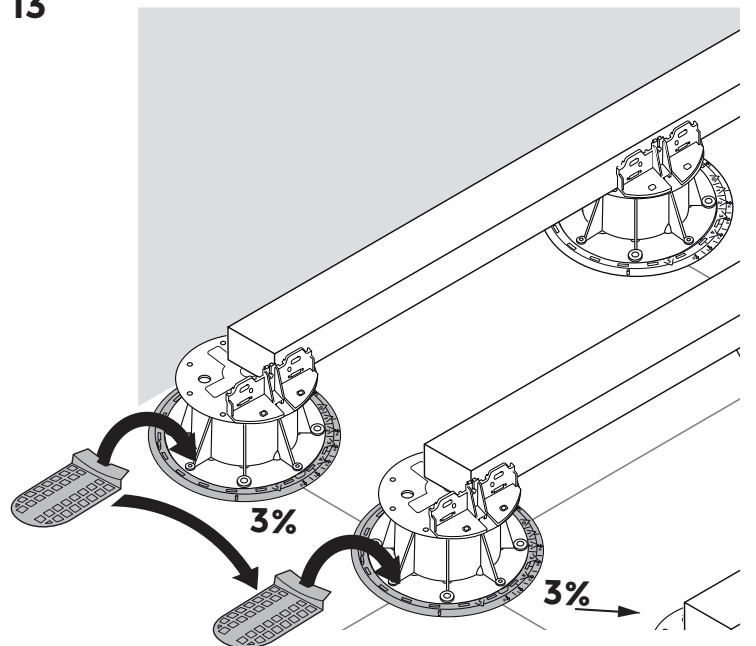
11

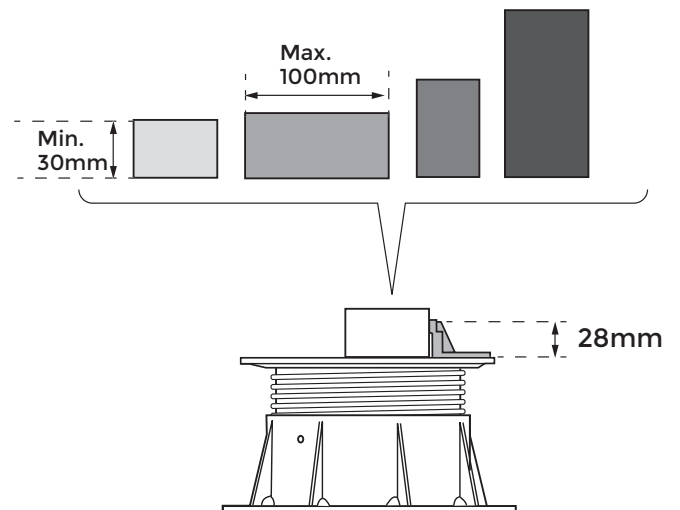
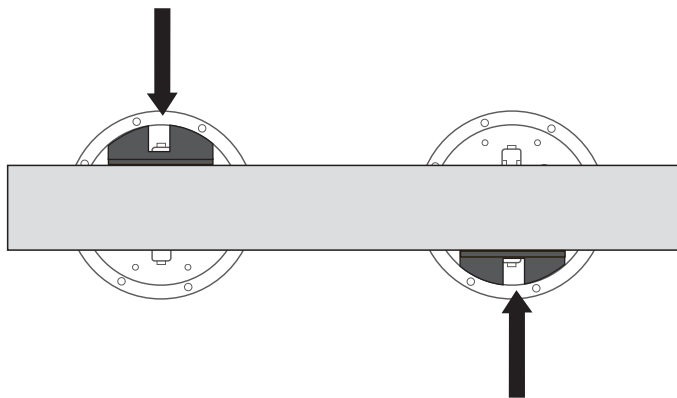
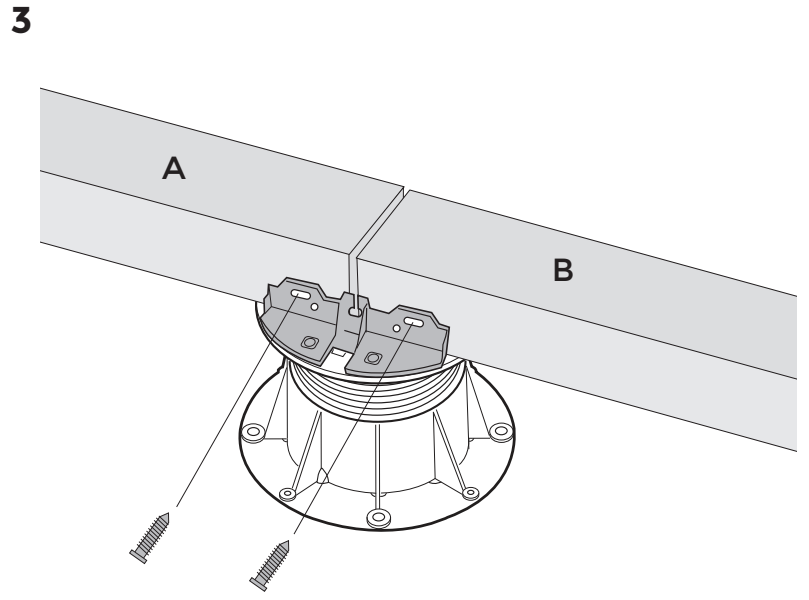
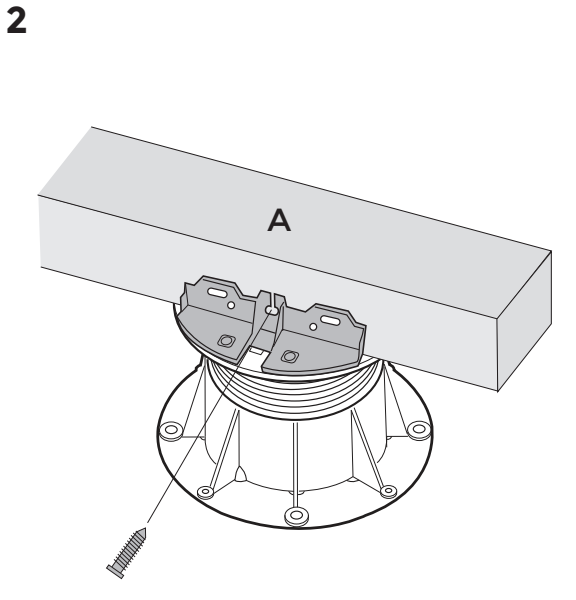
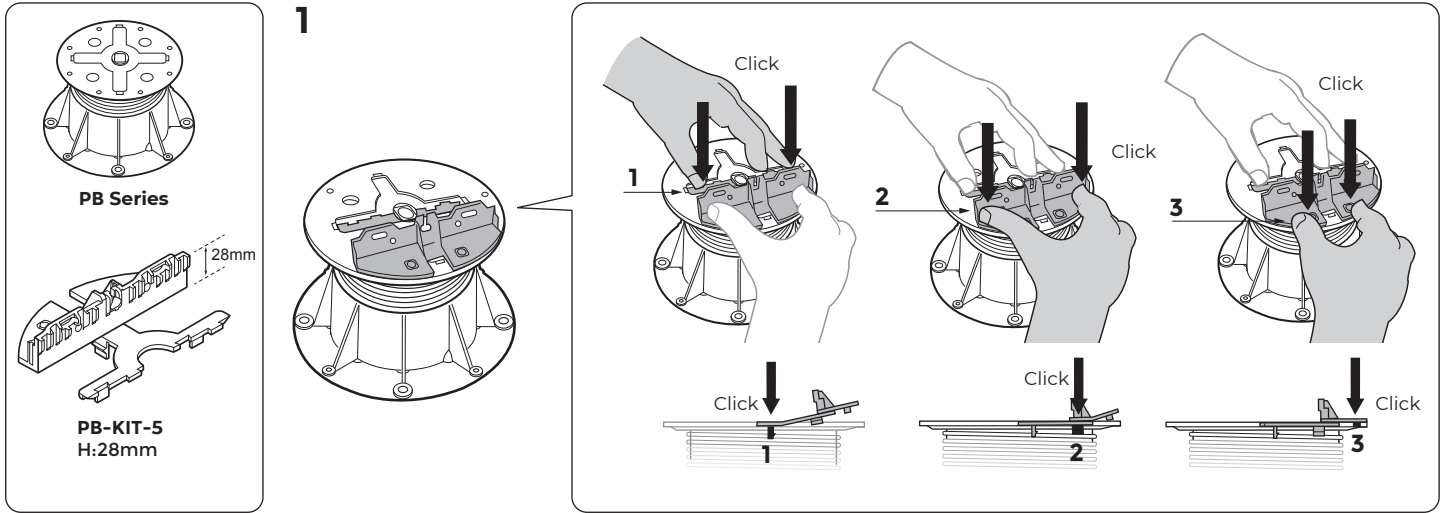


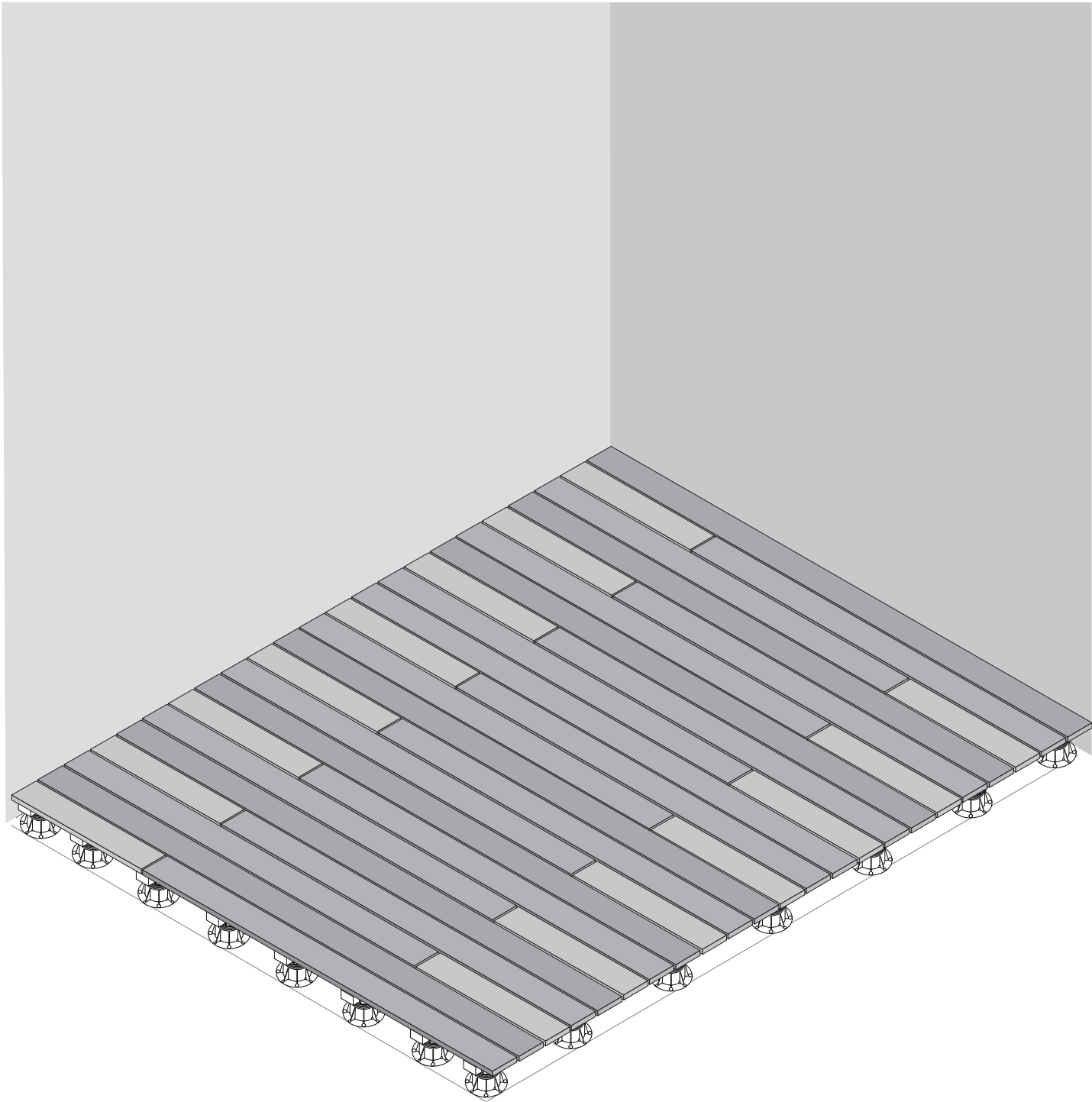
12

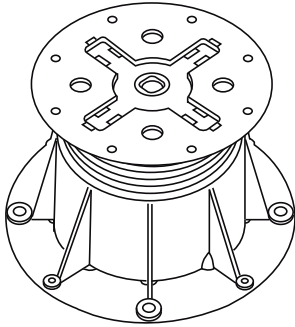


13

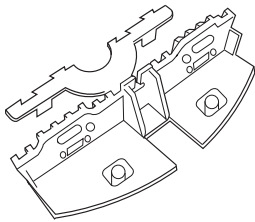
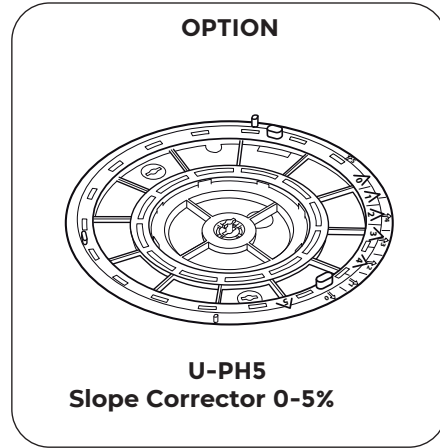






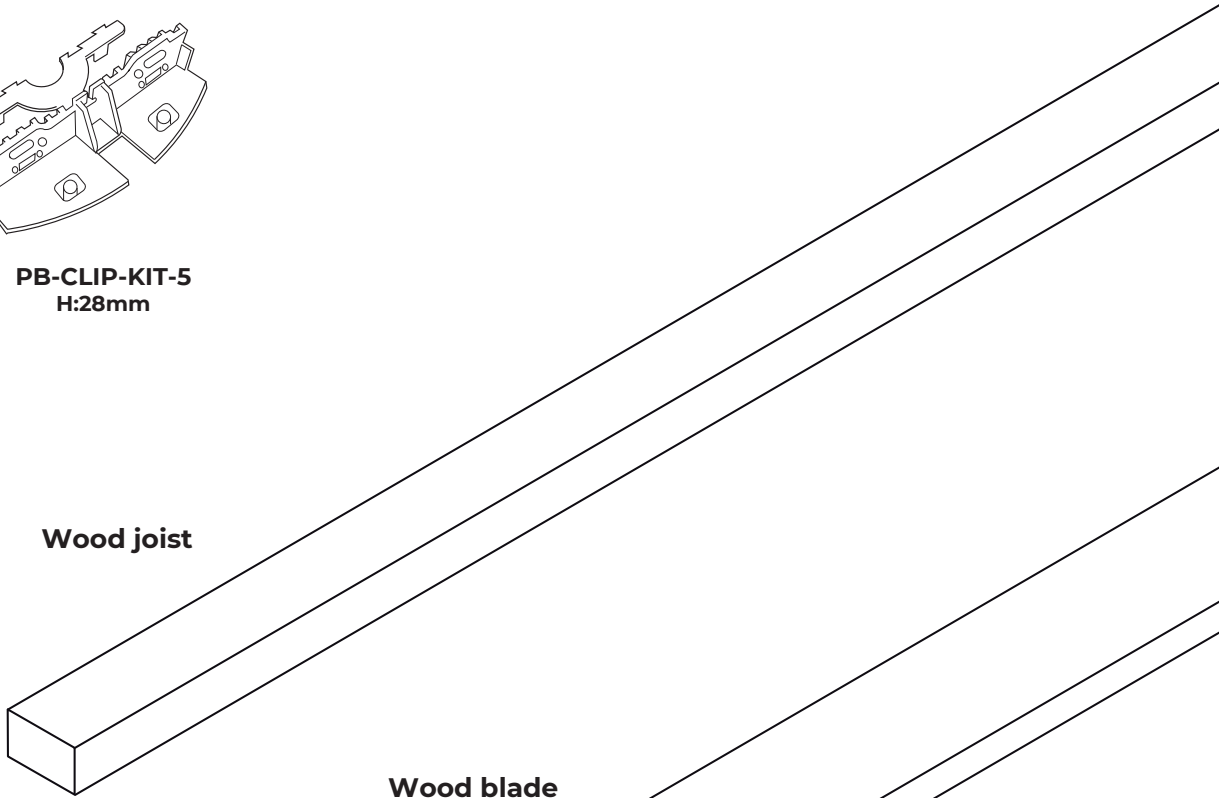


PB Series



**PB-CLIP-KIT-5
H:28mm**

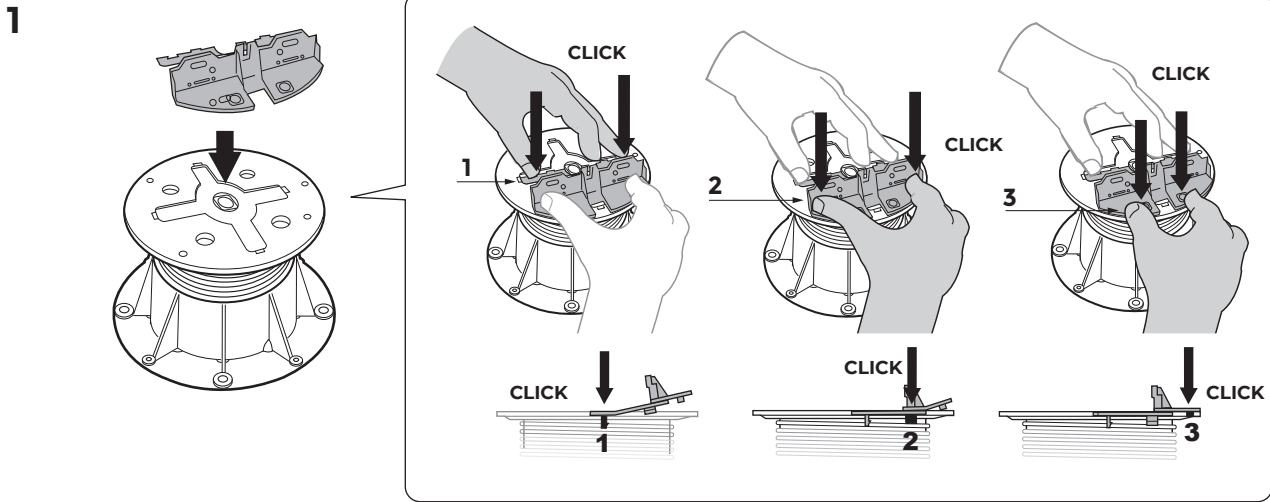
Wood joist



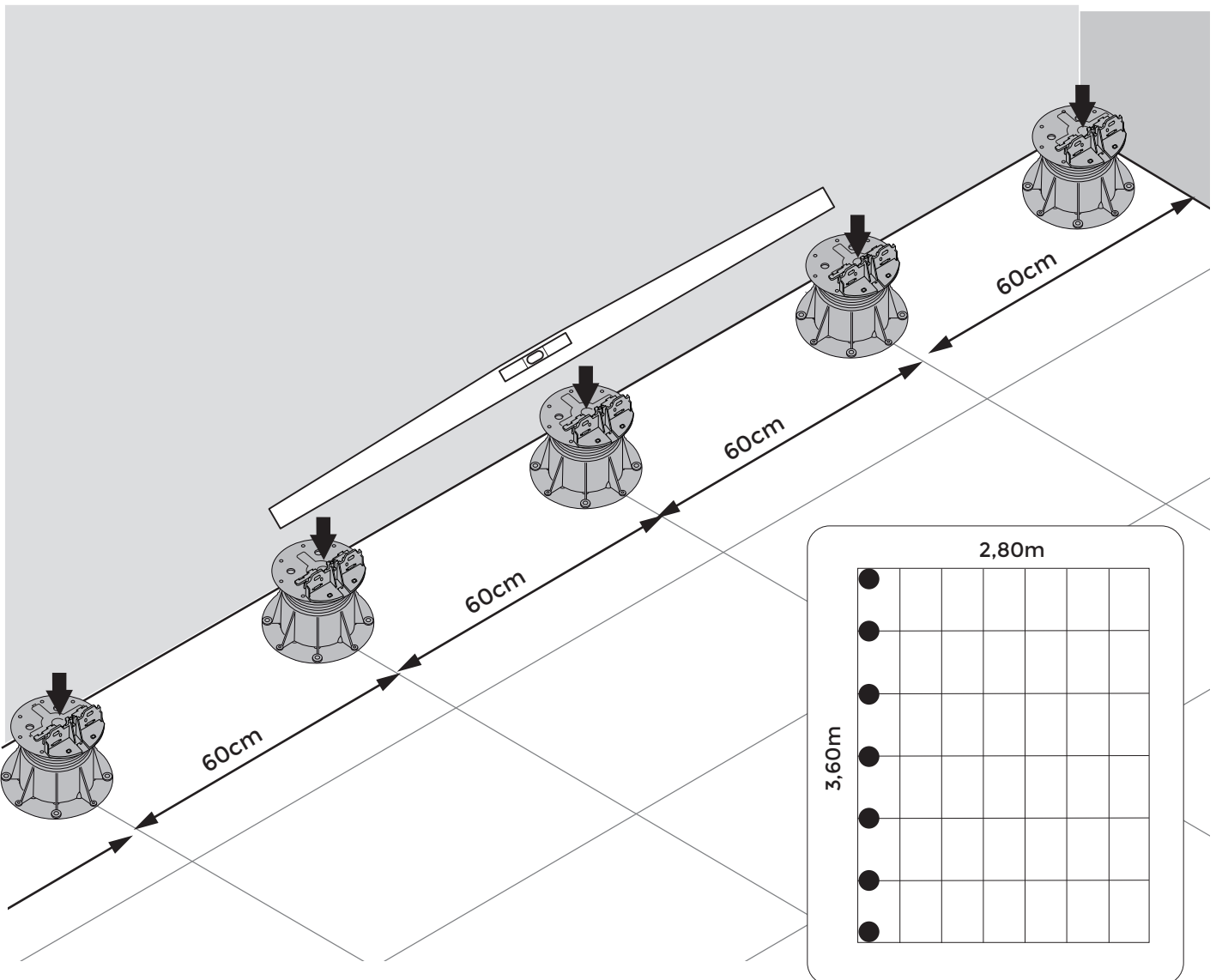
Wood blade

Ex. : 25 X 145mm

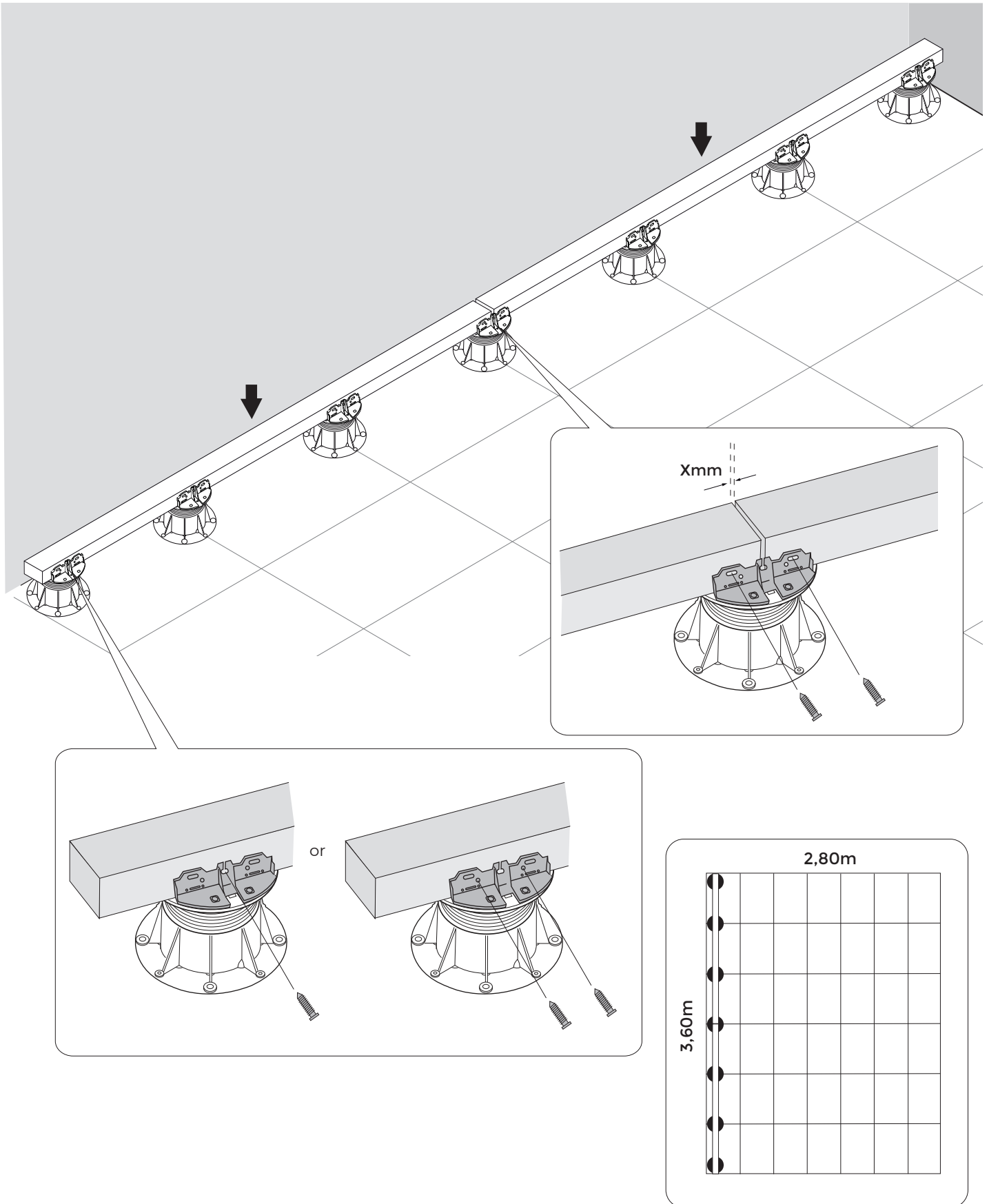




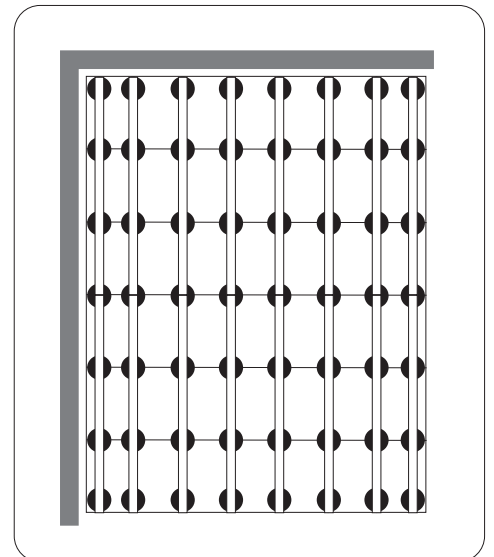
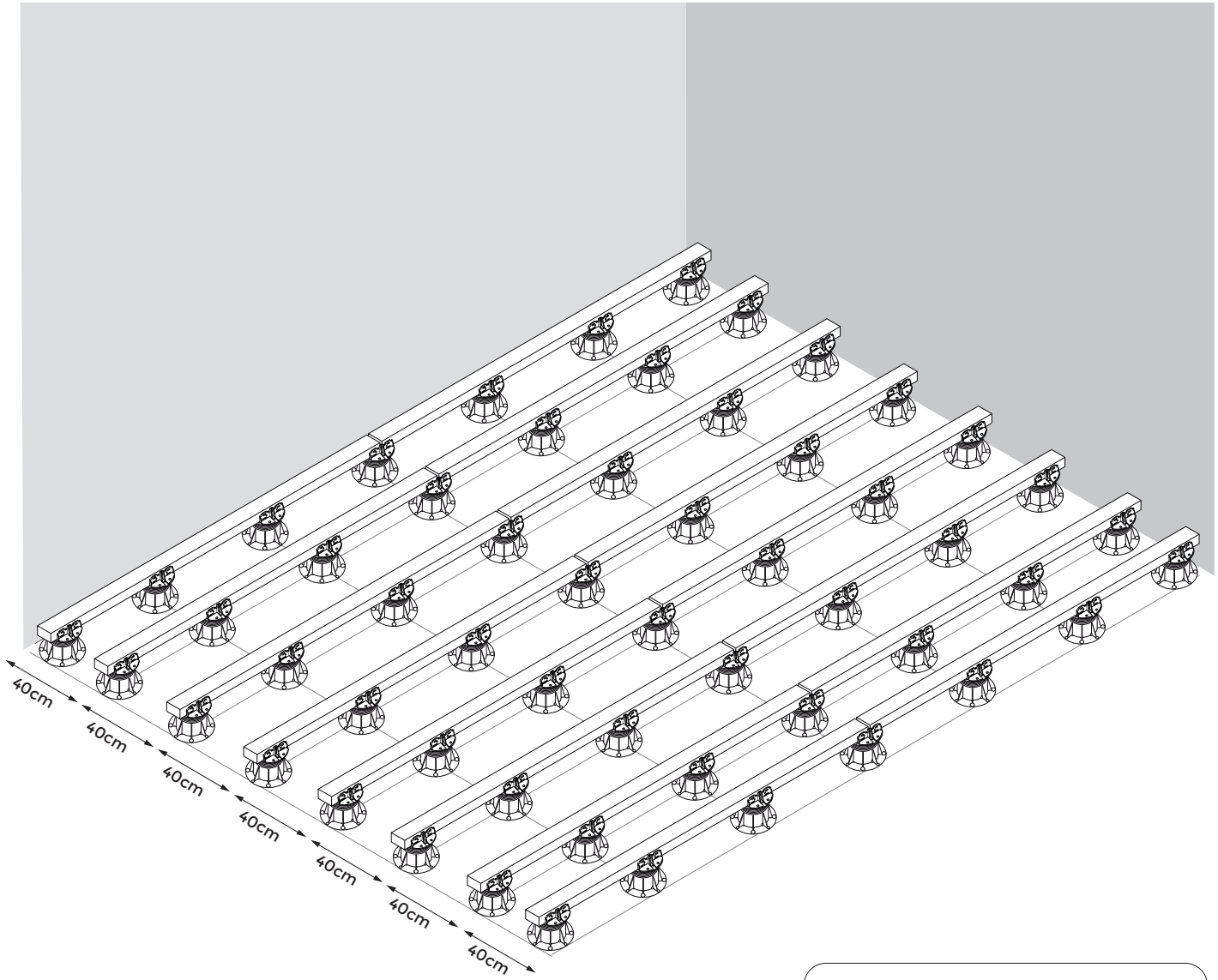
2 Example: Terrace 3,60m x 2,80m



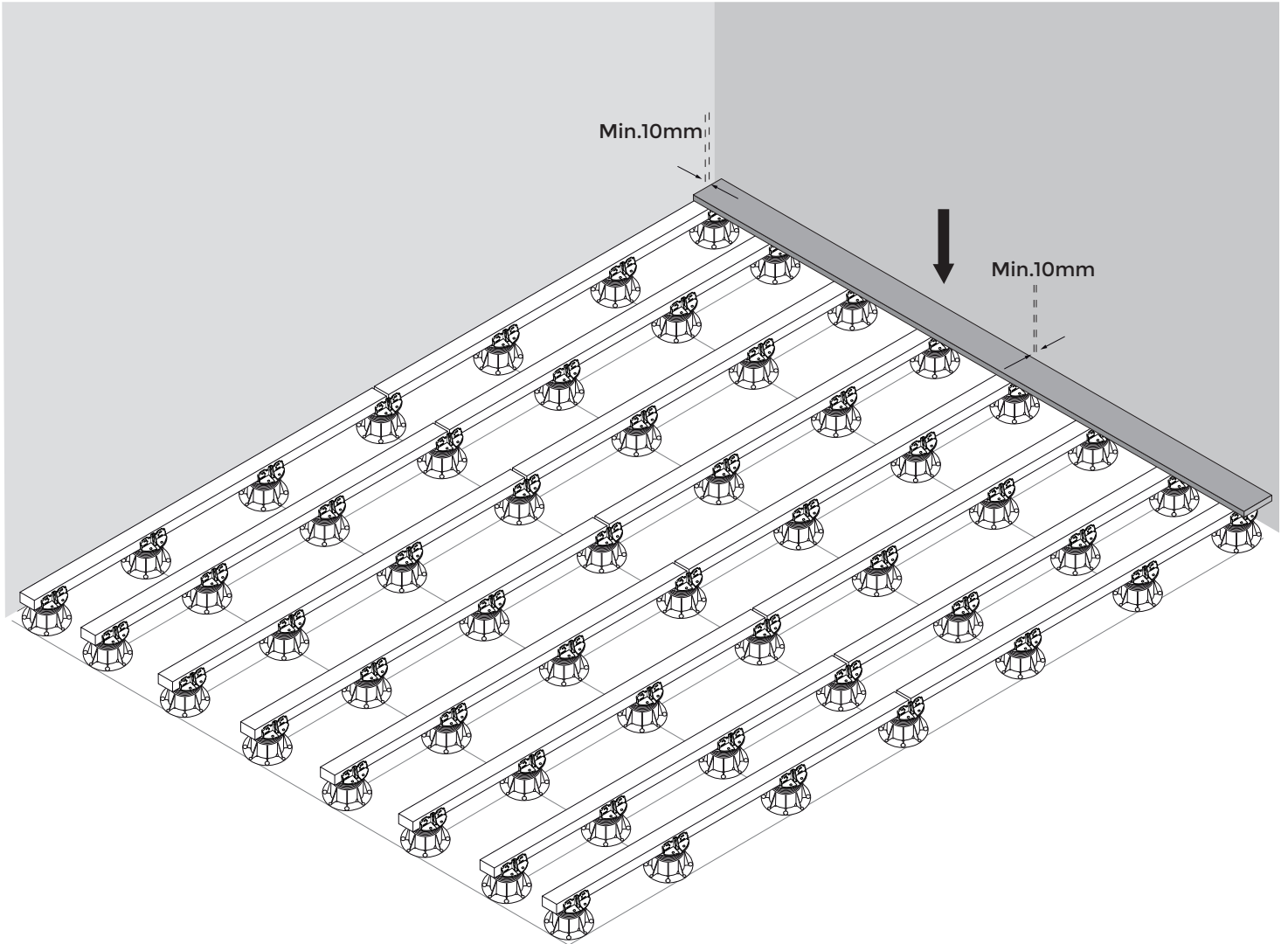
3



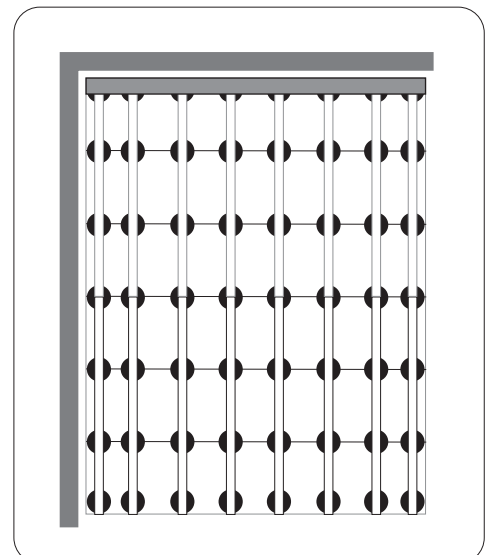
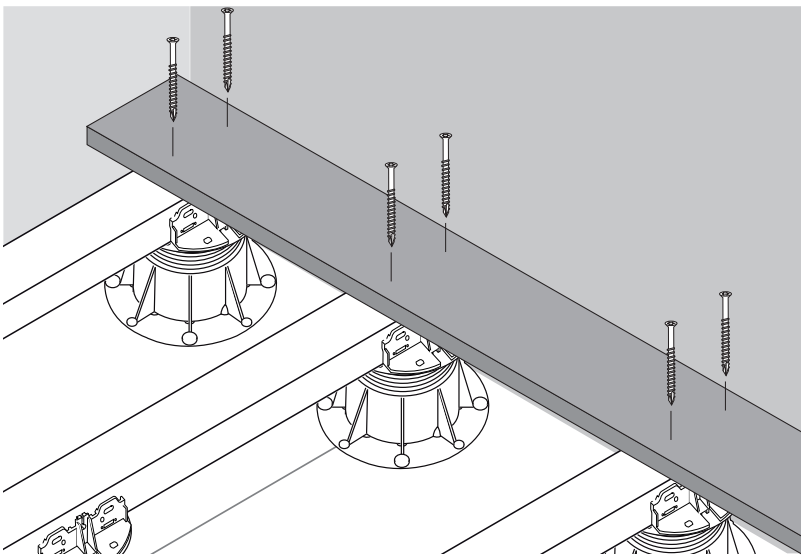
4



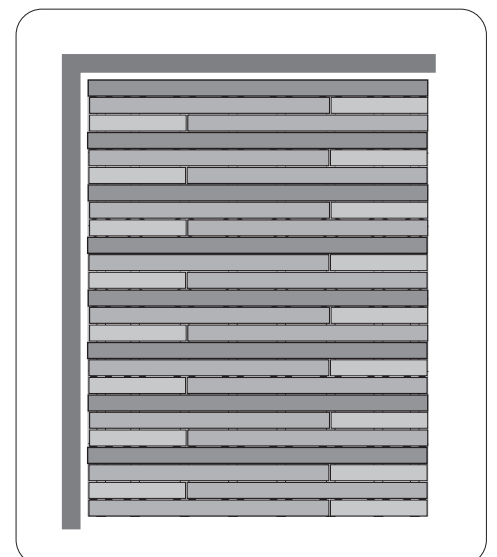
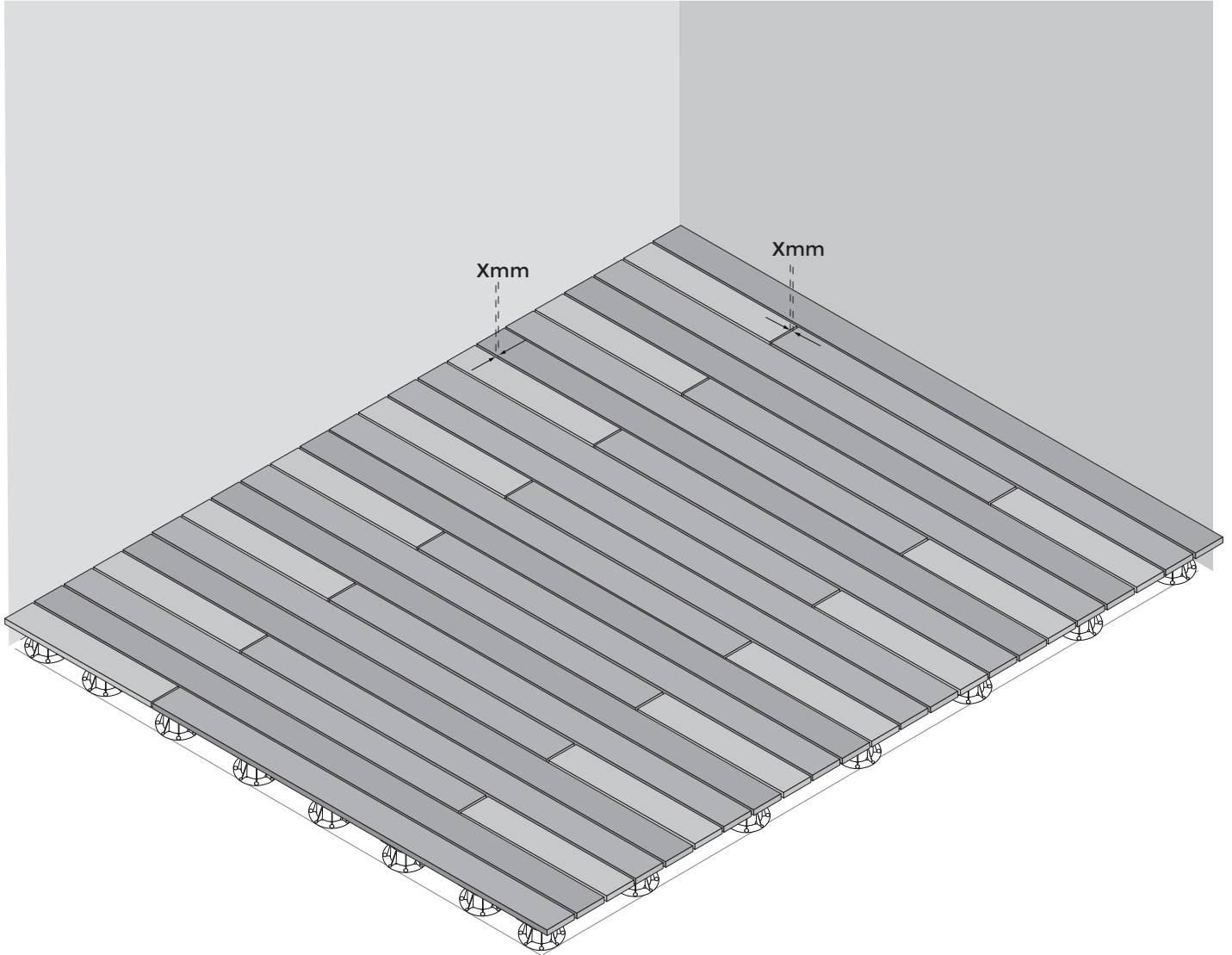
5

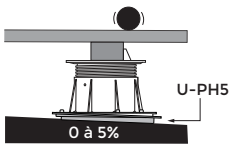


6



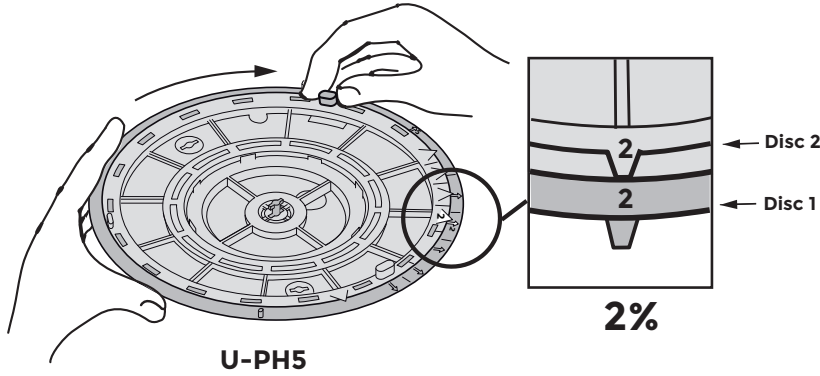
7



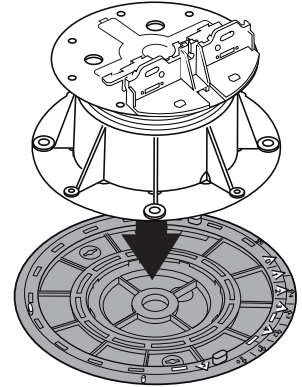


Example: use with a slope corrector U-PH5 (0 - 5%) with a slope of 2%

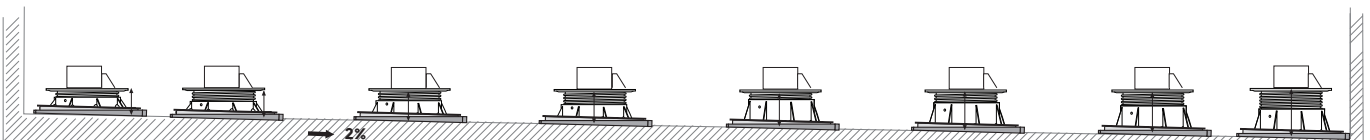
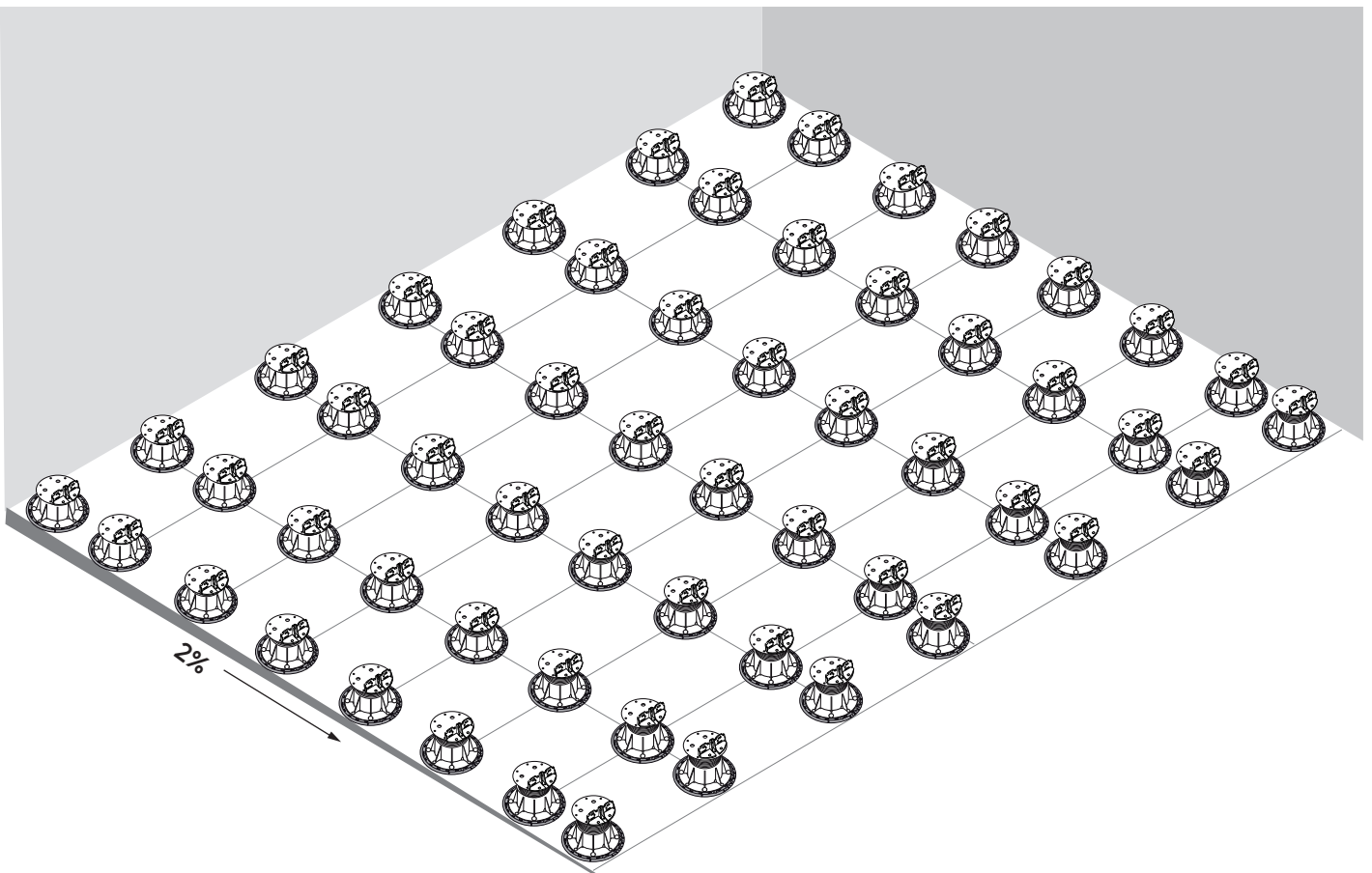
1



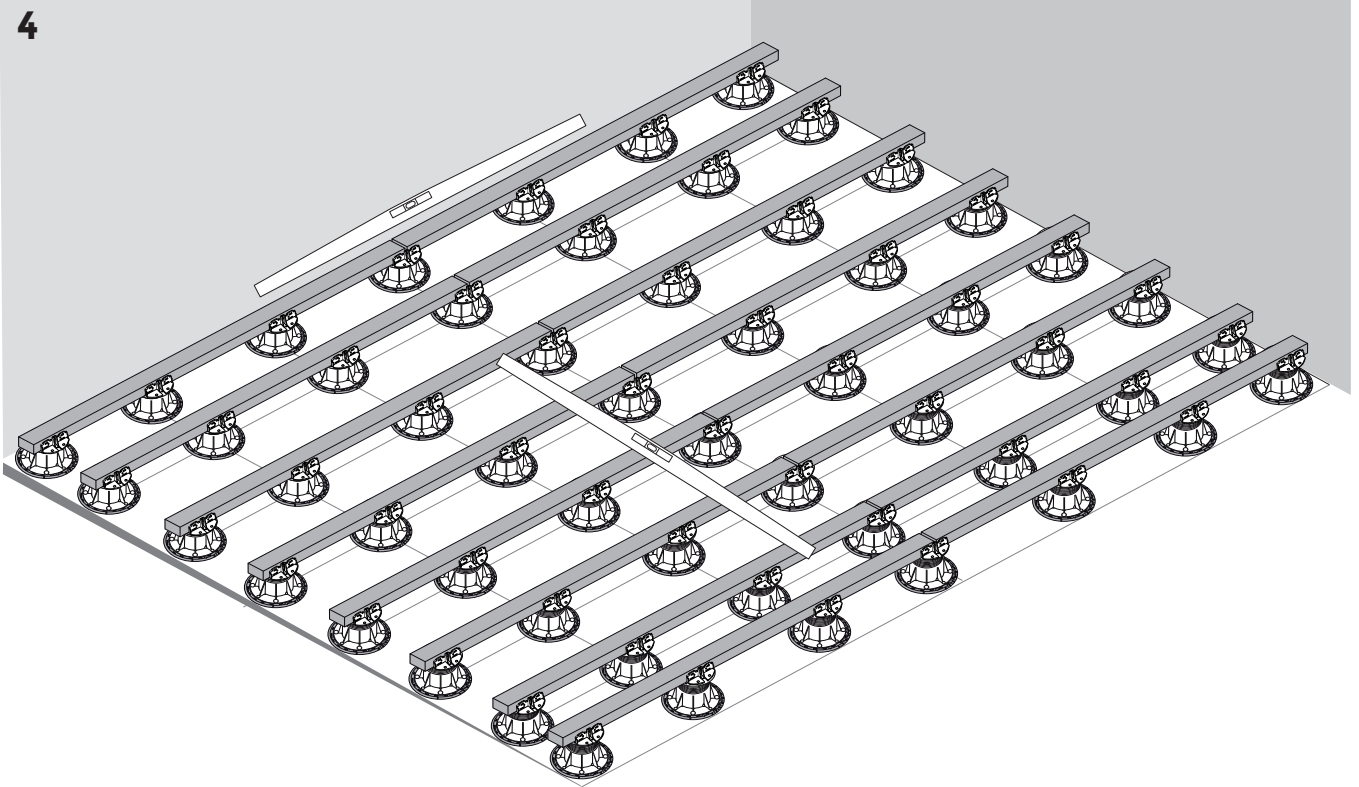
2



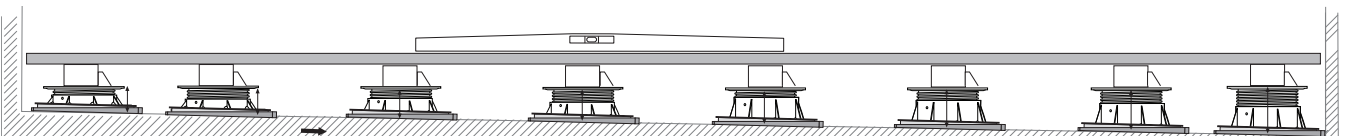
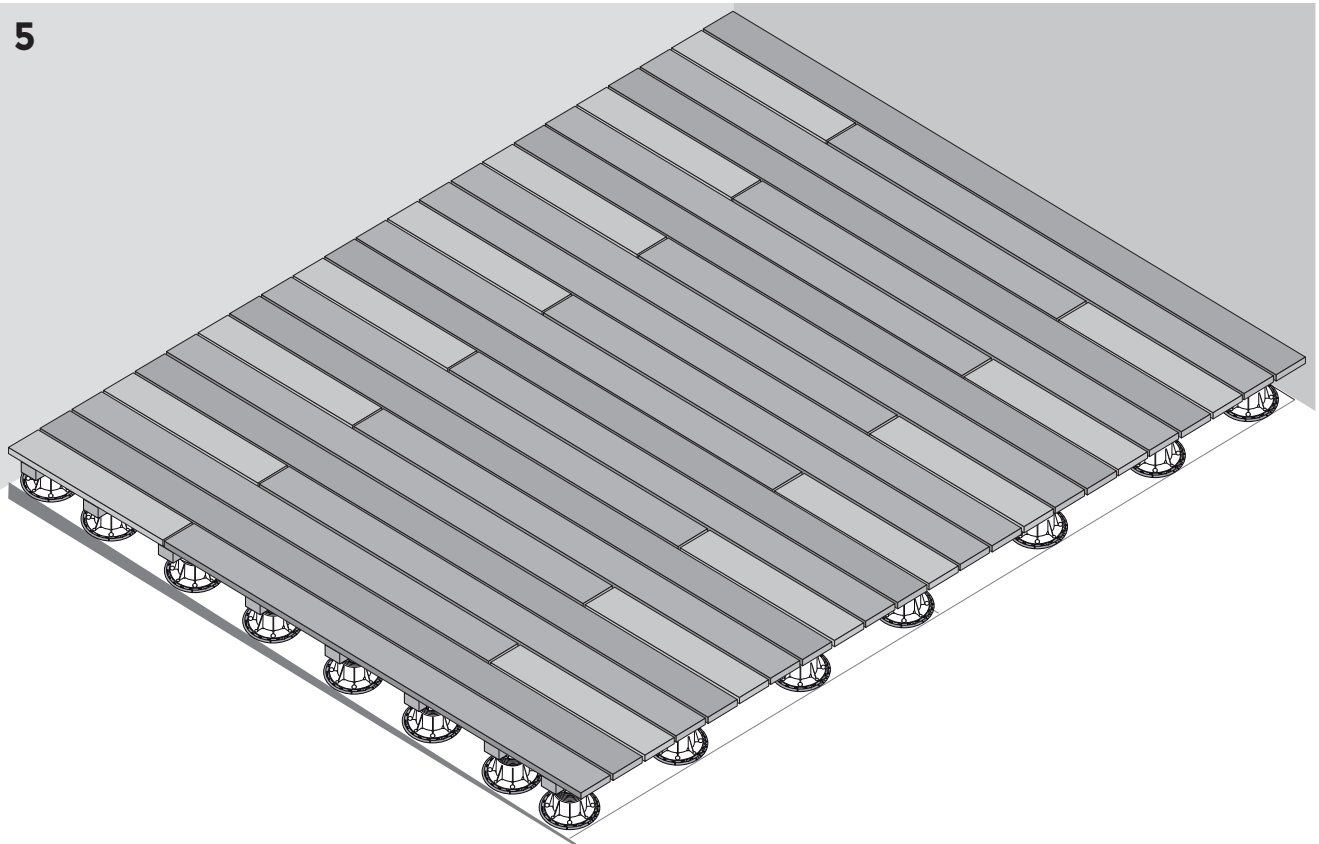
3



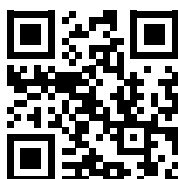
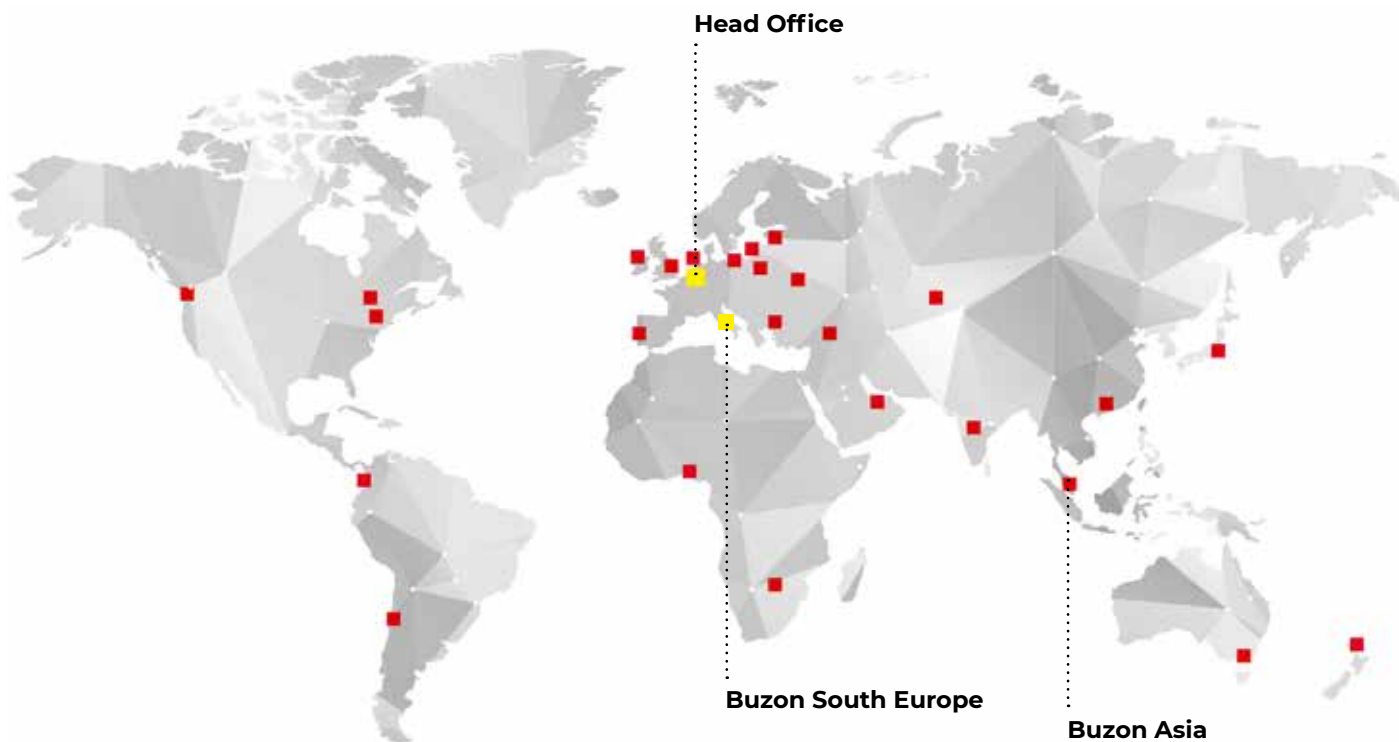
4



5



Our partners over the world



48/5000
Made from min. 50%
recycled content



Buzon®

Parc Industriel des Hauts-Sarts
4ème Avenue, 25
4040 Herstal-BELGIQUE
Tel. : **+32 (0)4 248 39 83**
E-mail : sales@bpi.be

