



www.buzon-world.com

PB Series

Installation Guide (Starting a tiled area)

Installation Guide

Layout for area

Use of tabs

Height adjustment

Use of shim

Determine the value and the direction of the slope with the Buzon level

Use of a Slope Corrector (U-PH5)

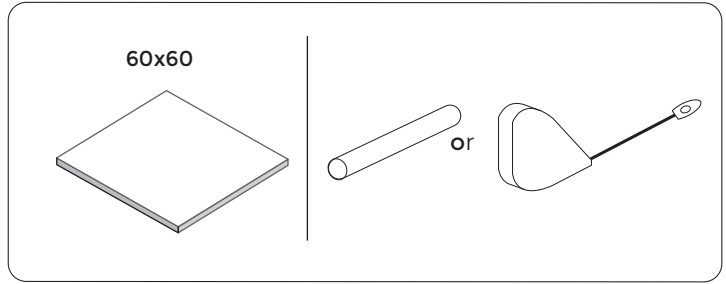
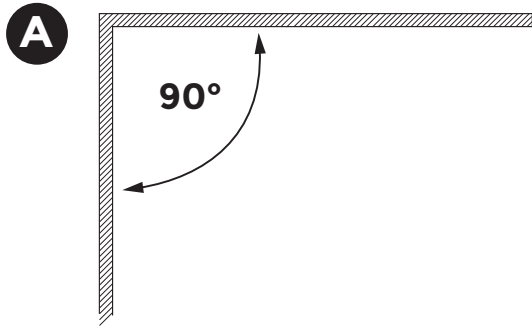
Starting a tiled area

Use of PB-End

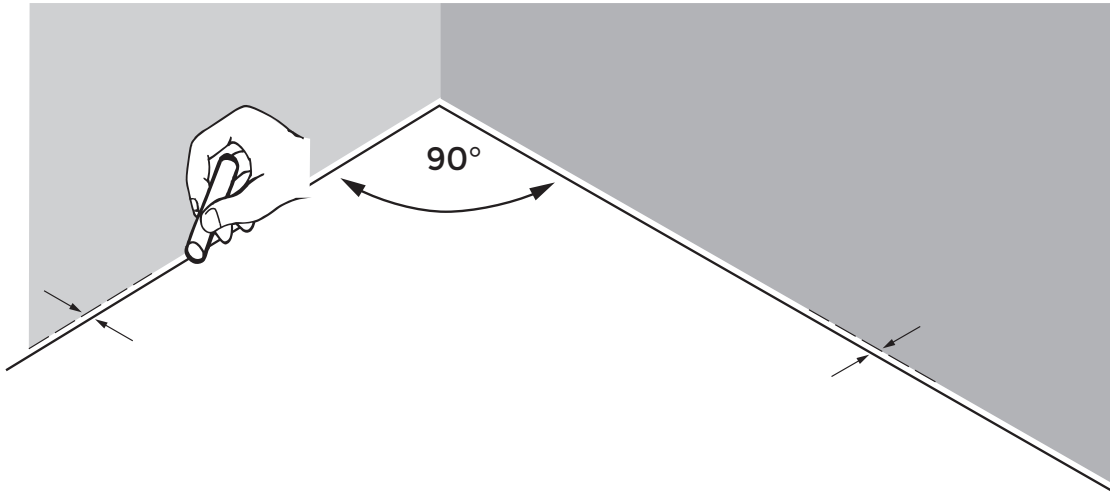
Tile Support at a wall's edge

U-EDGE -Tile Support

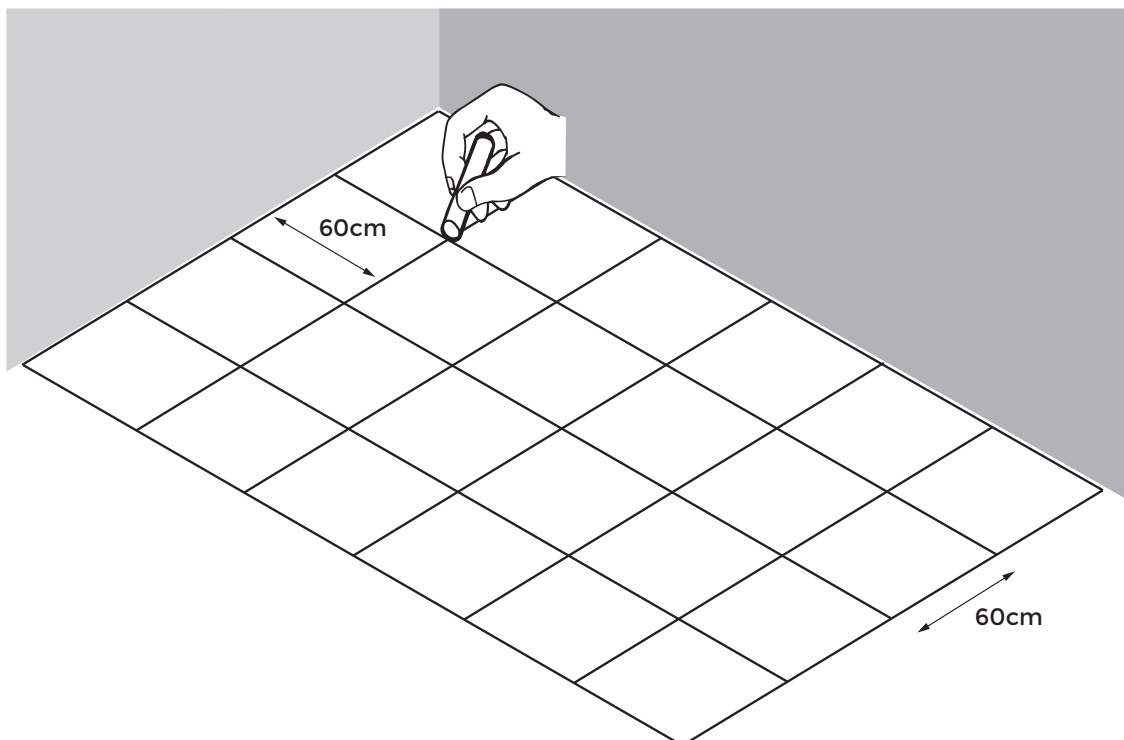




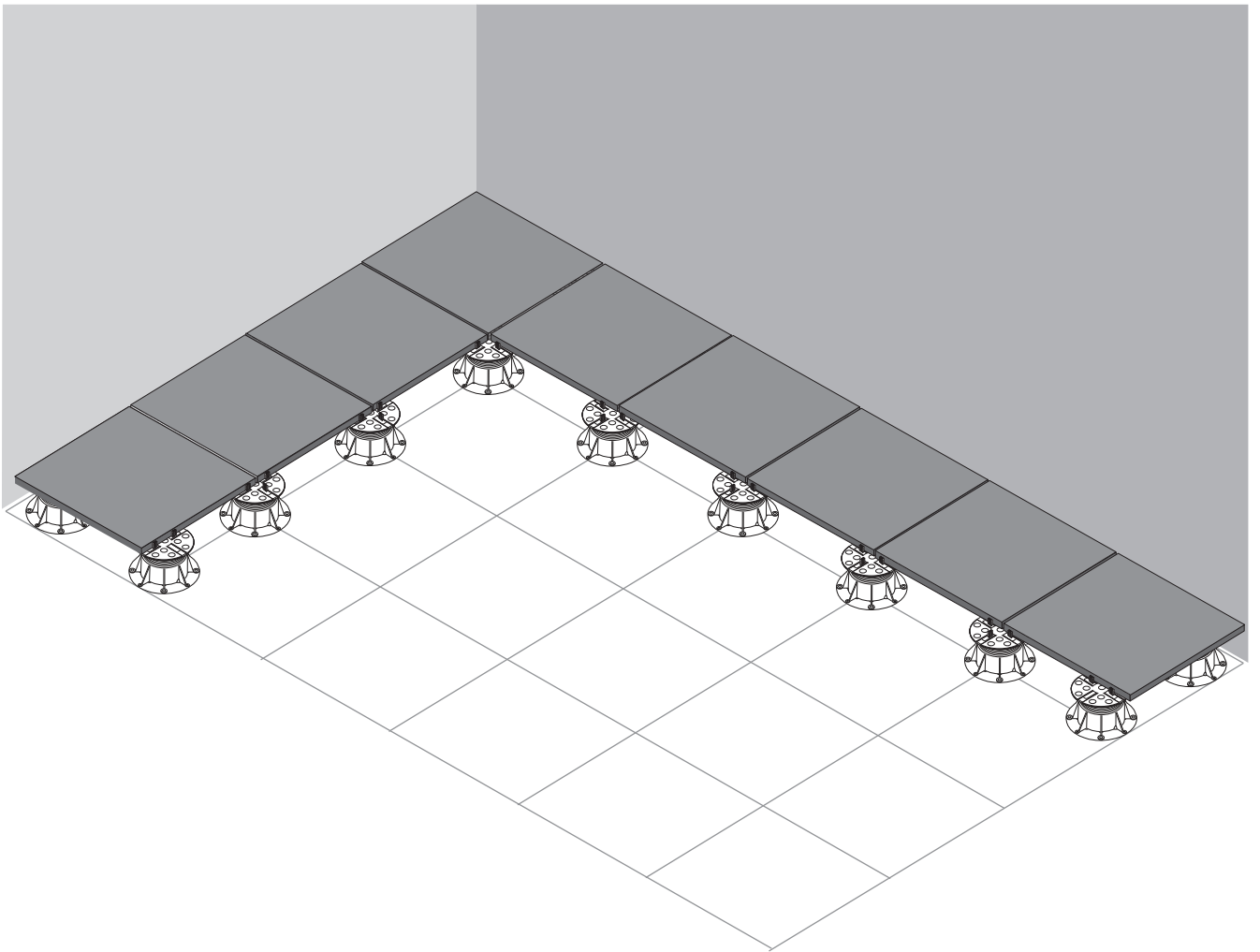
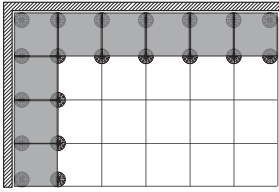
1 **A** = 90°

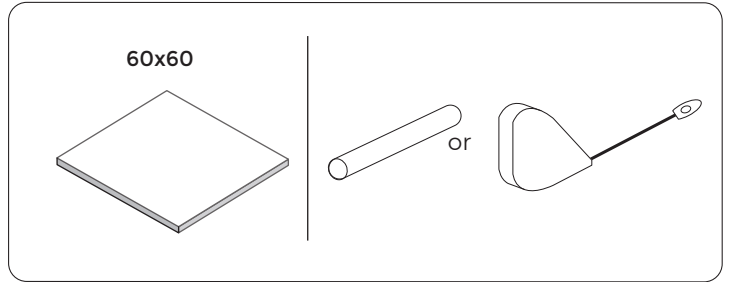
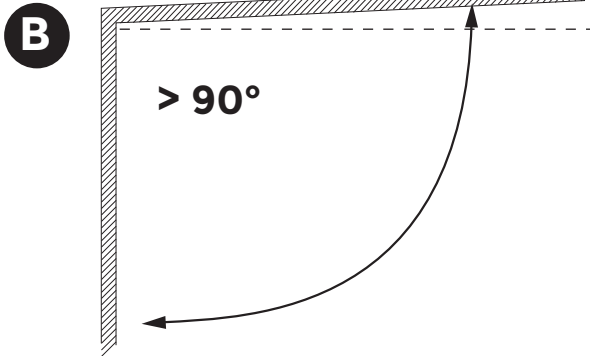


2

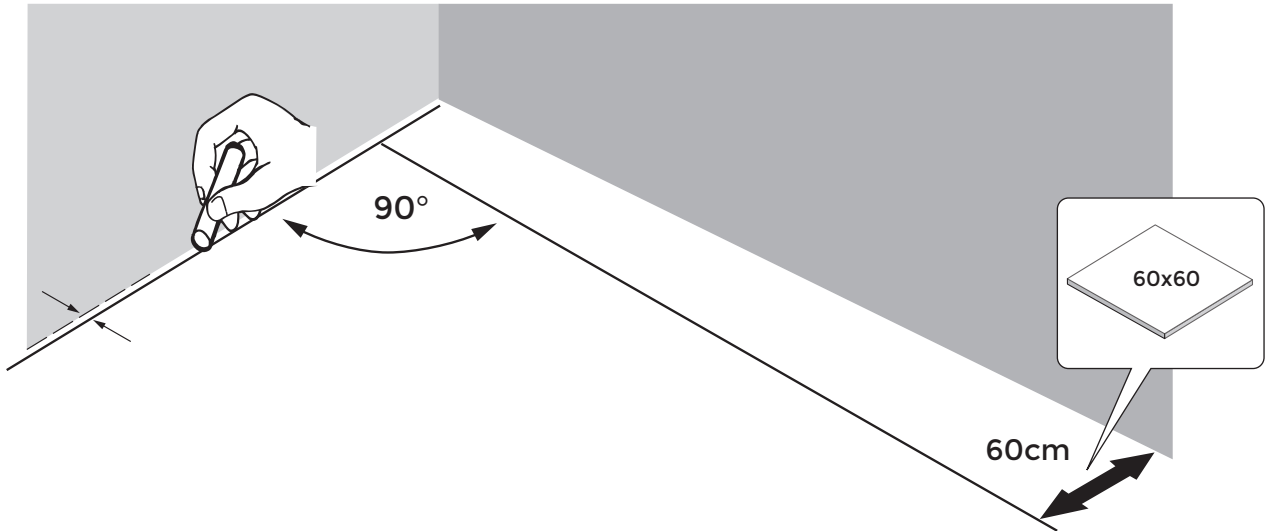


3

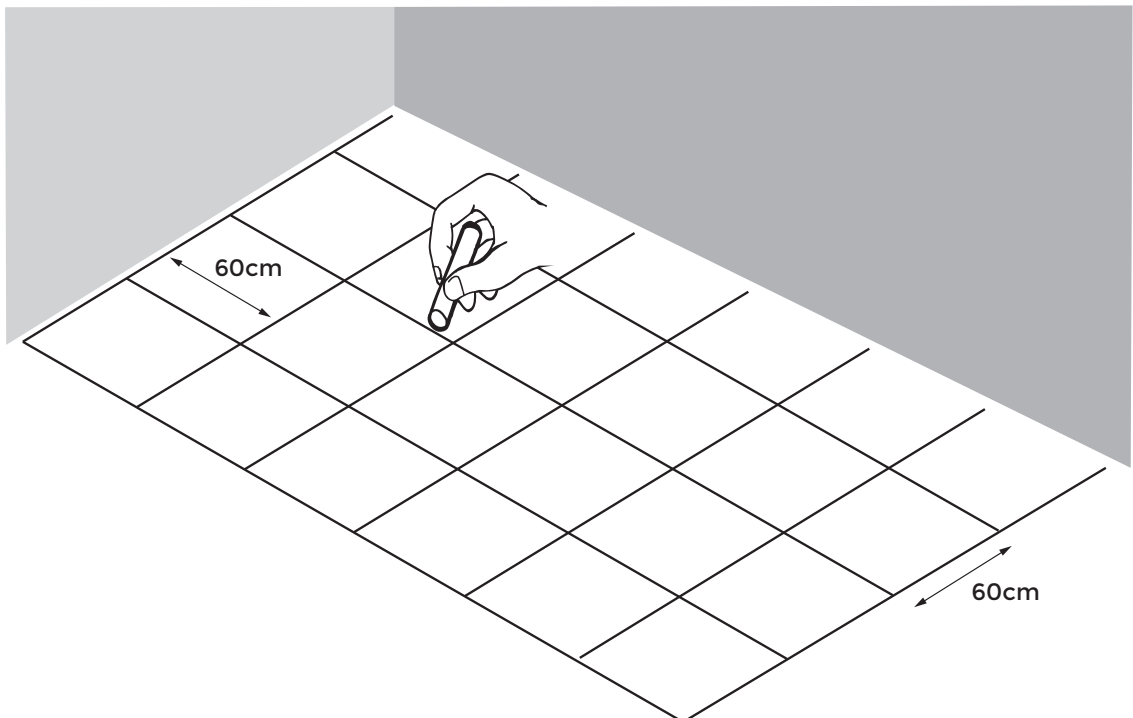




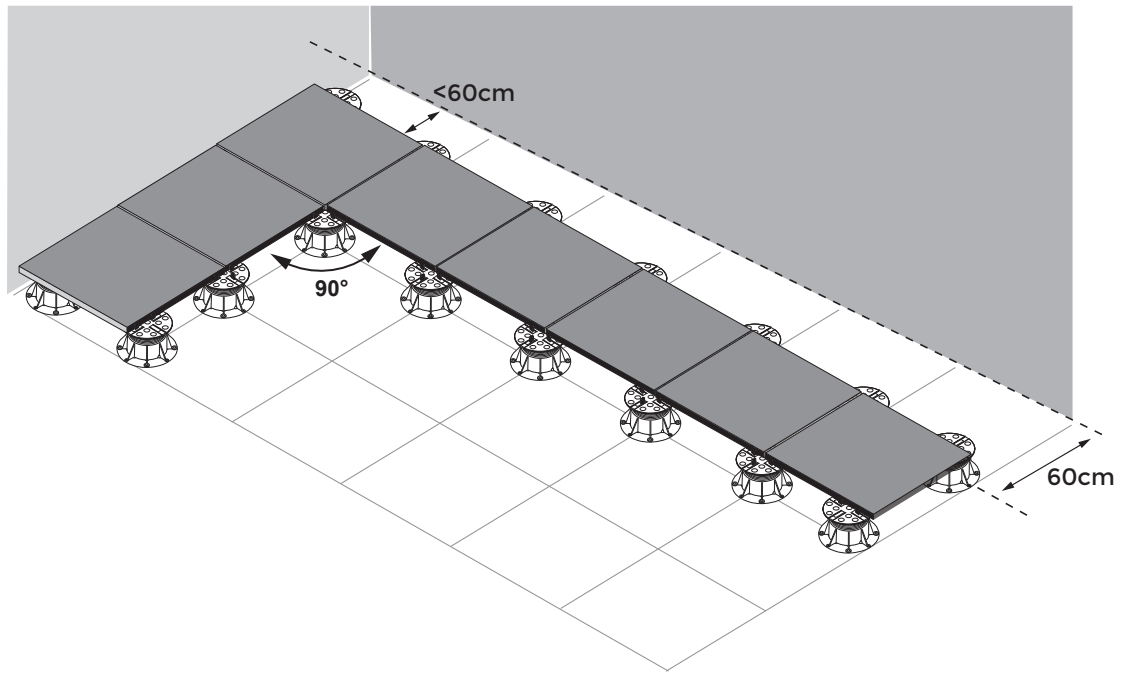
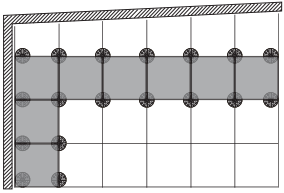
1 **B** > 90°



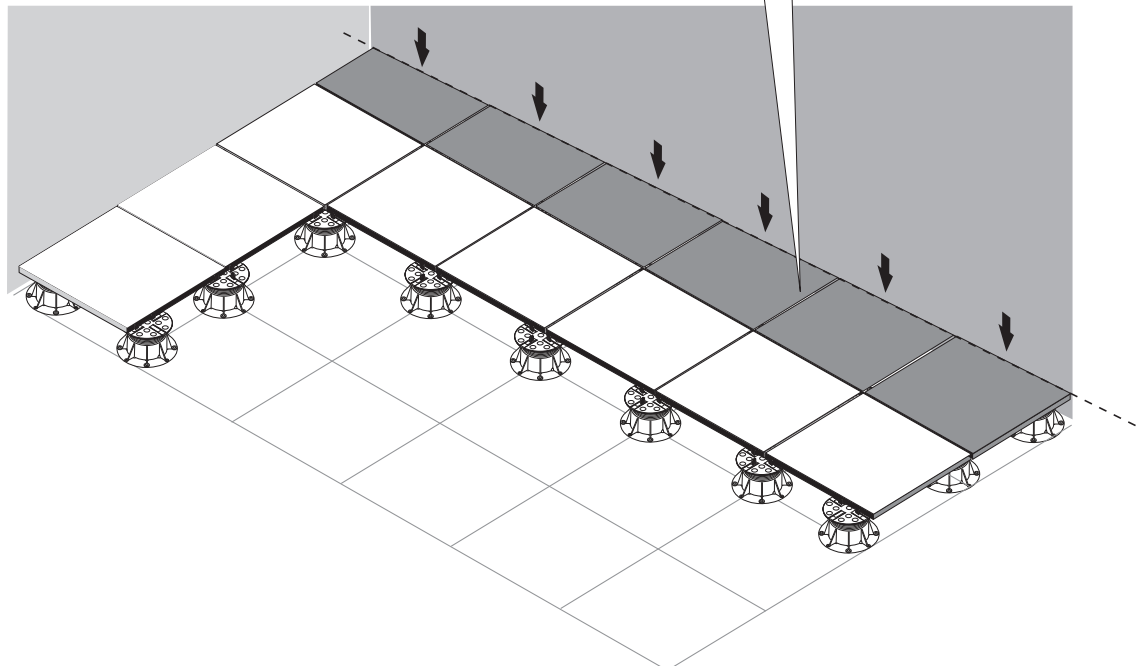
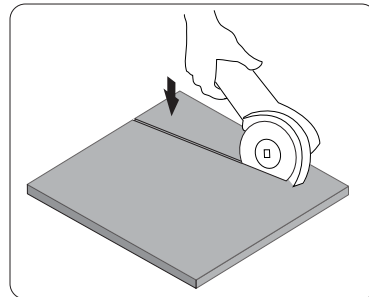
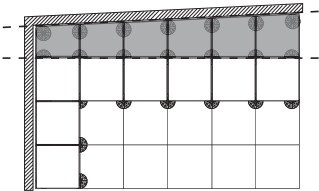
2

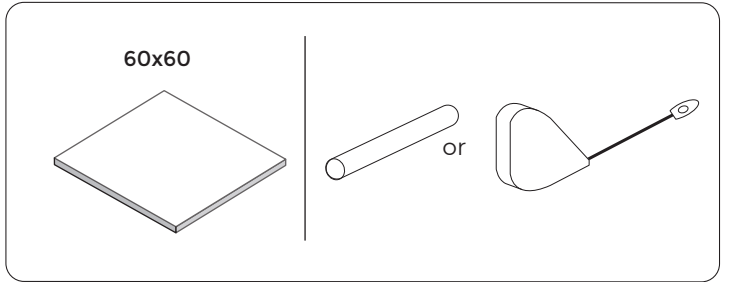
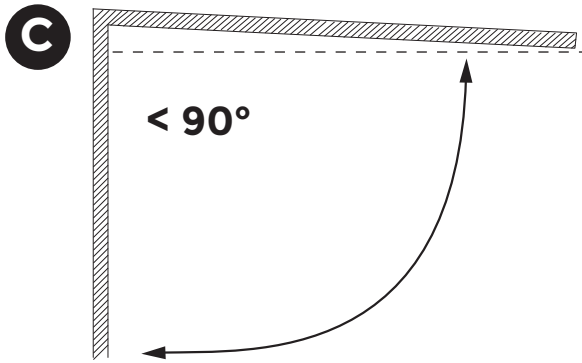


3

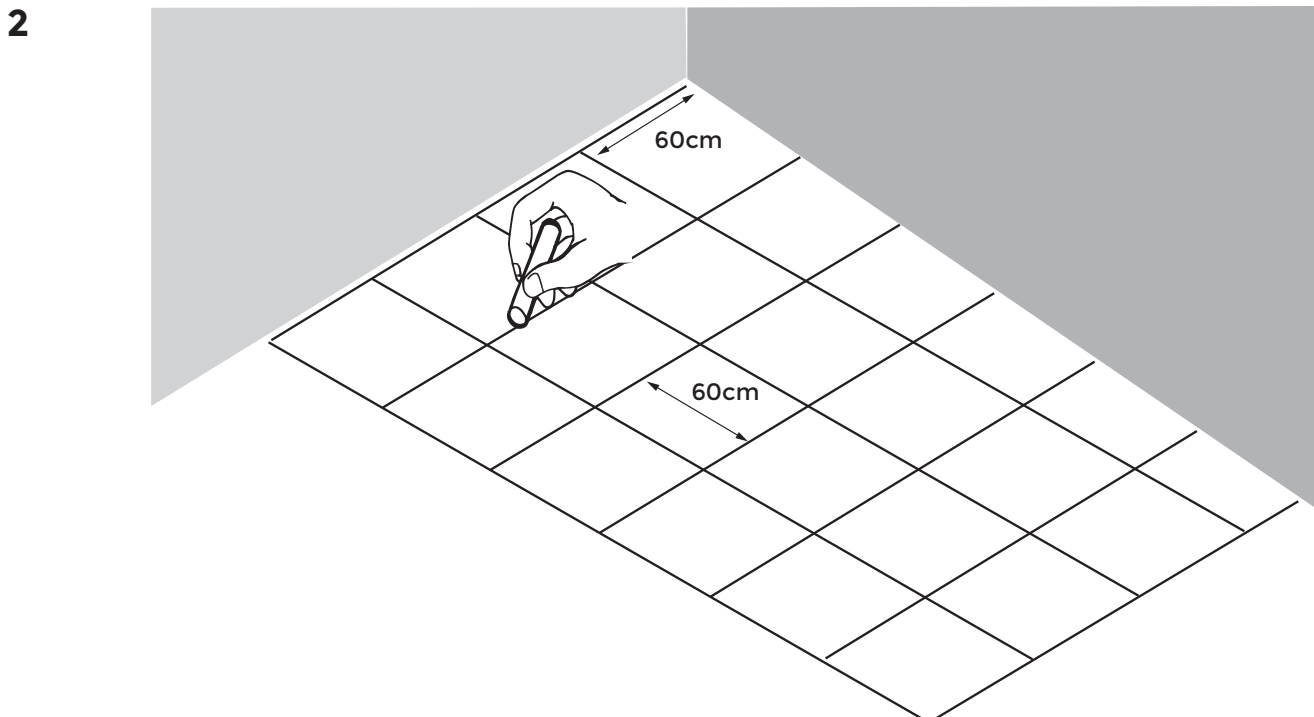
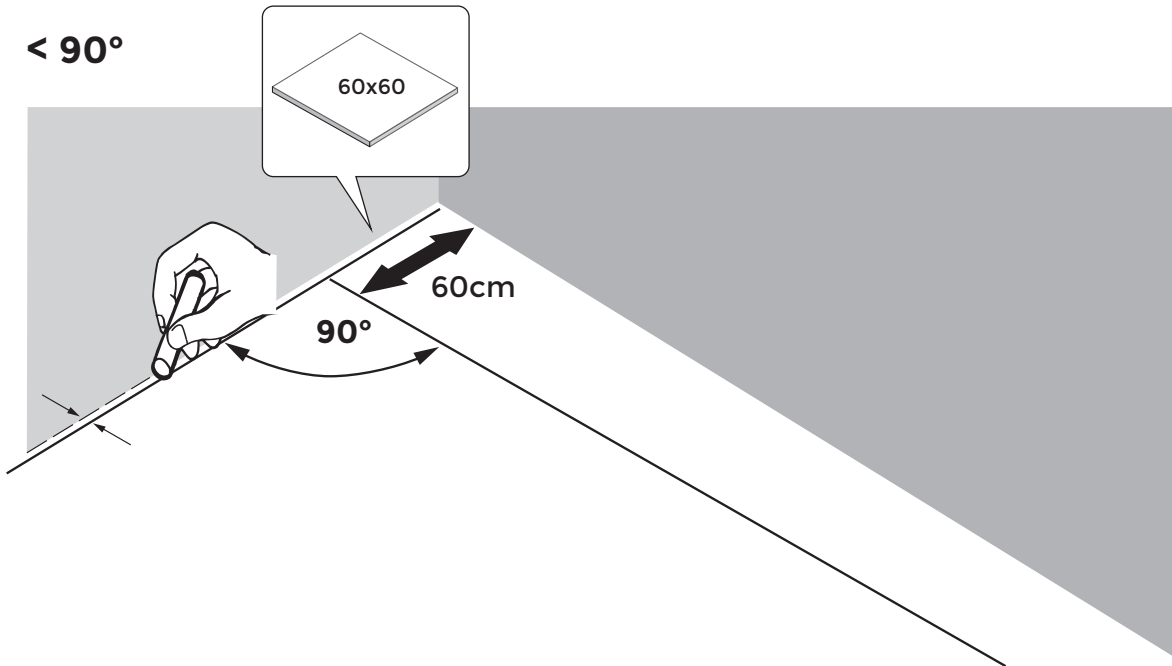


4

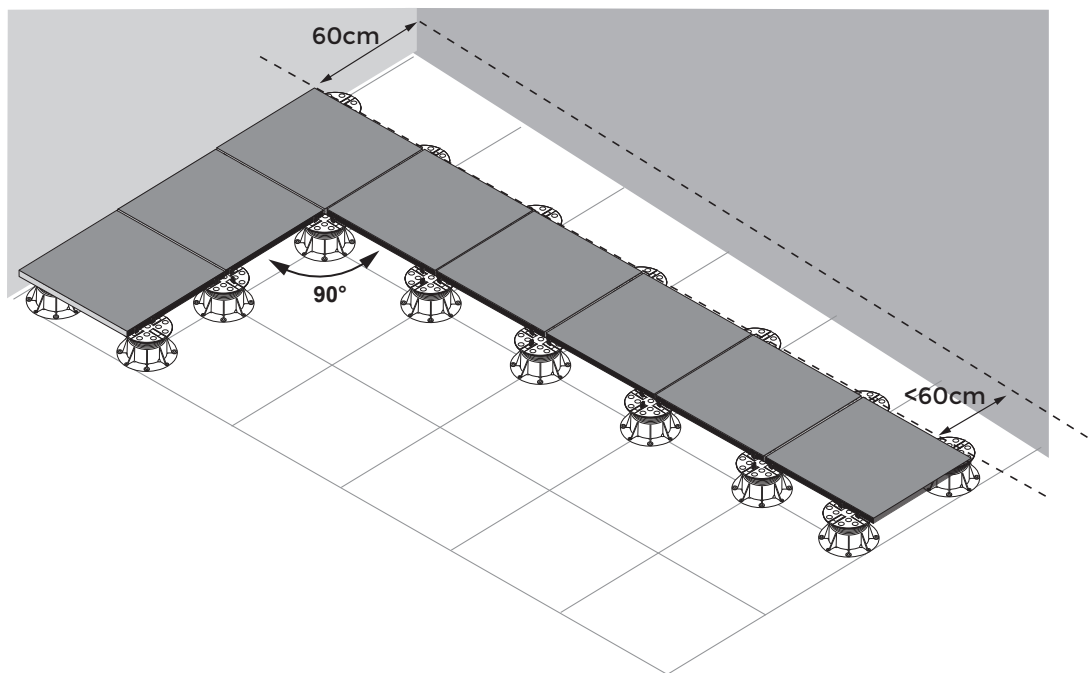
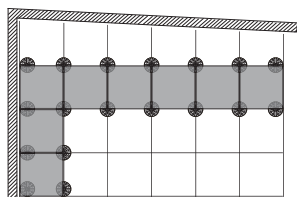




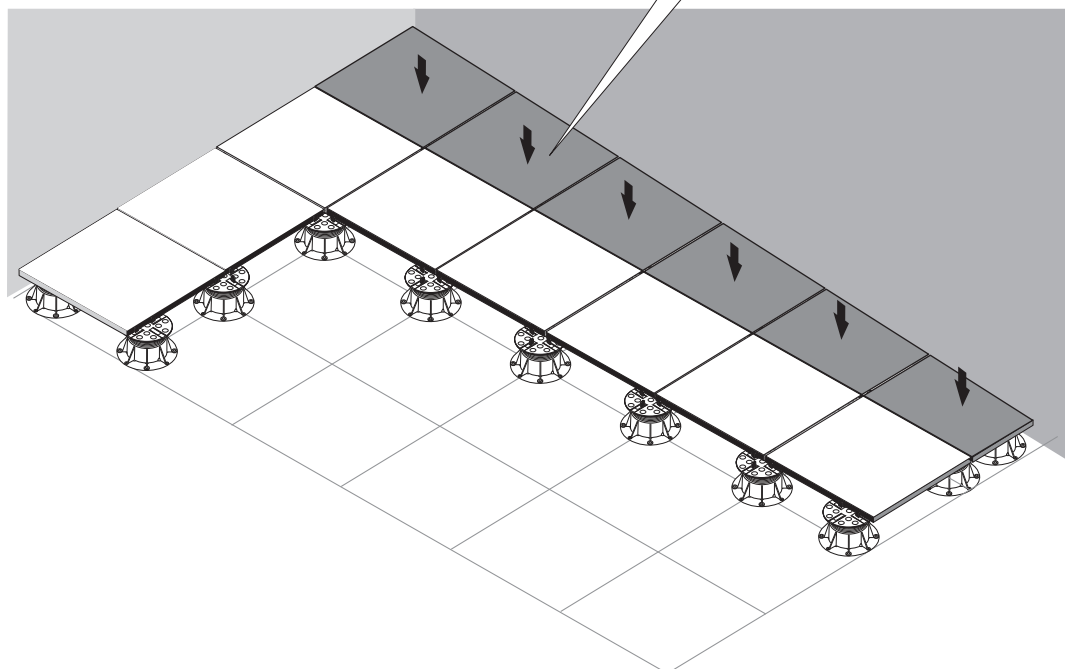
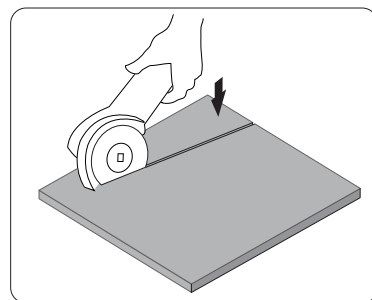
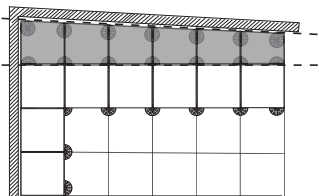
1 **C** $< 90^\circ$

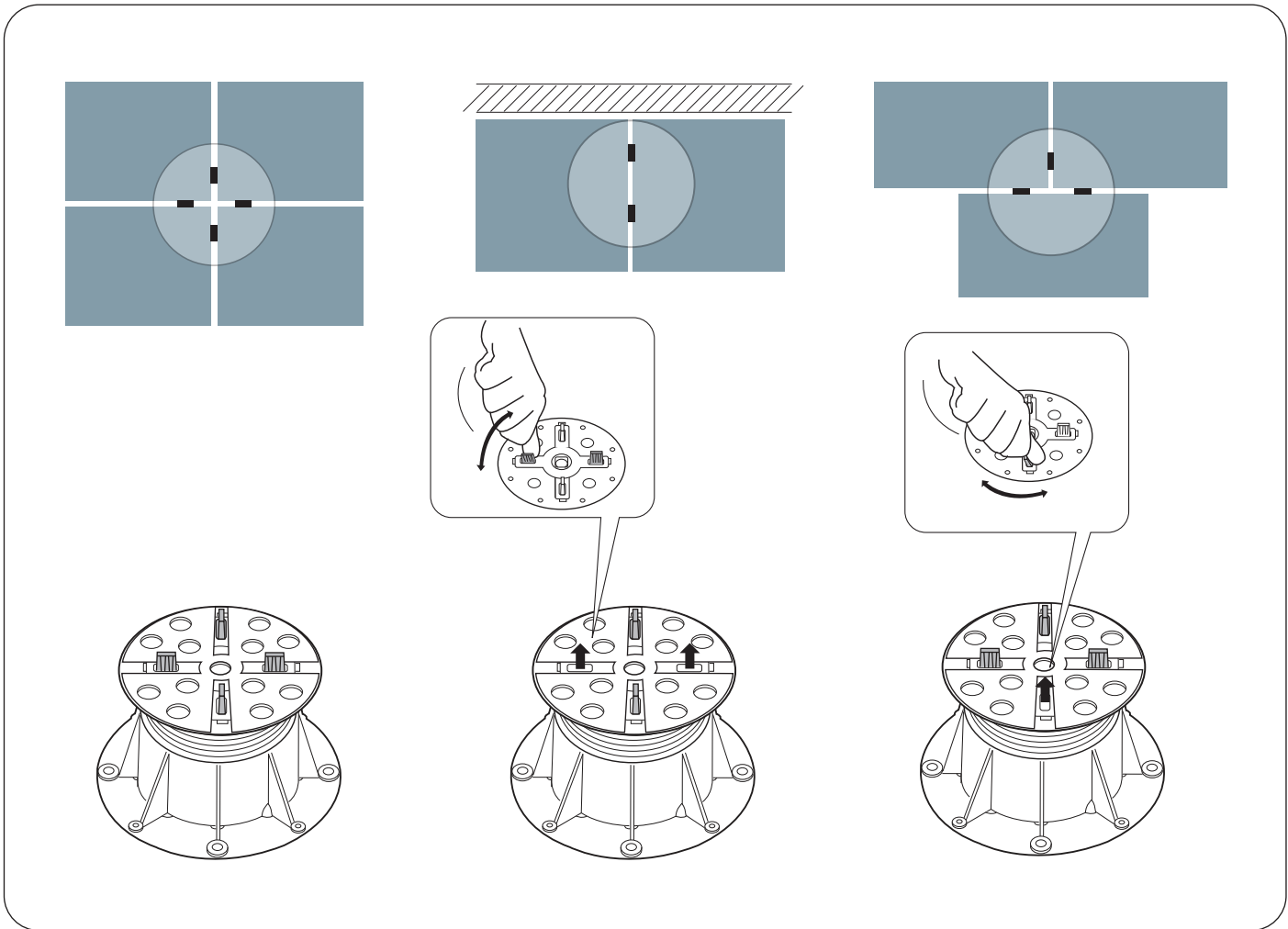
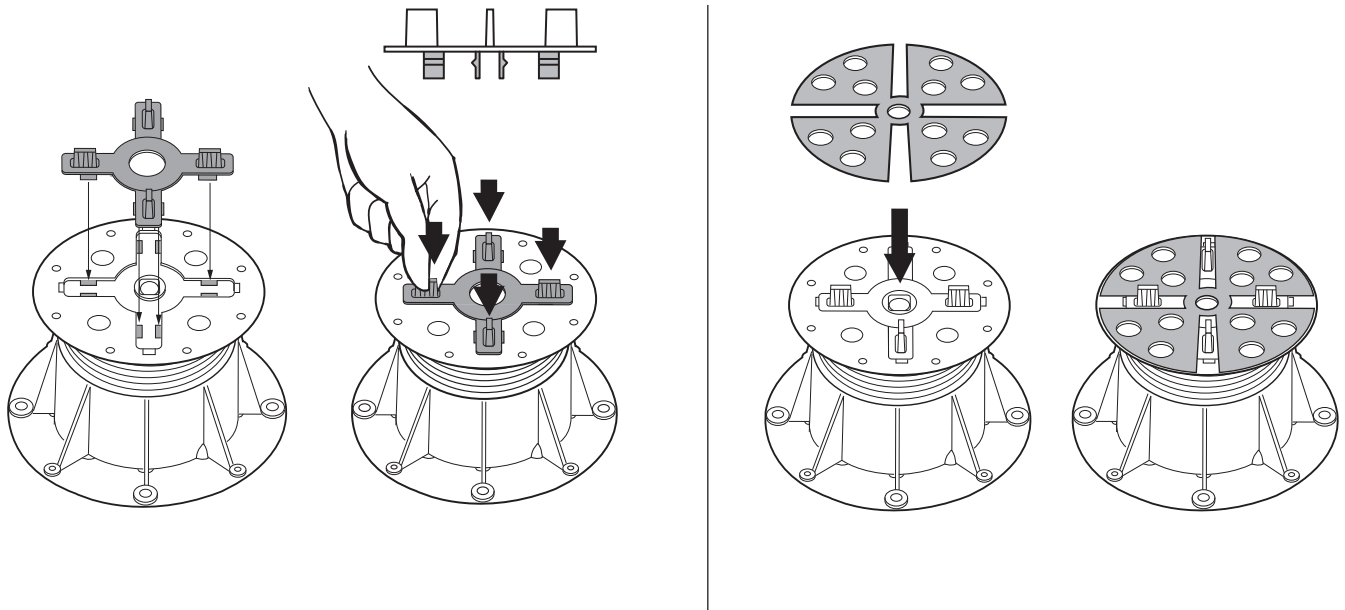


3



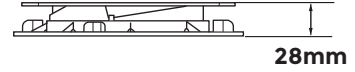
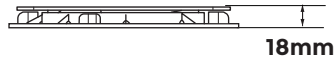
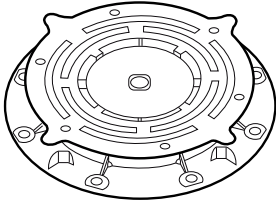
4



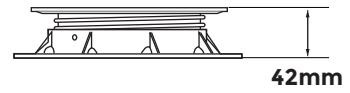
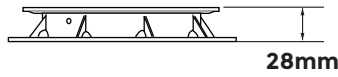
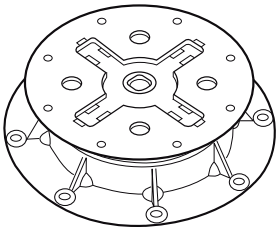




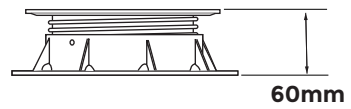
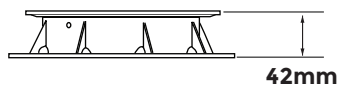
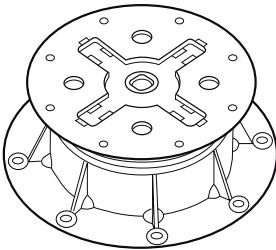
PB-0-S18 18-28mm



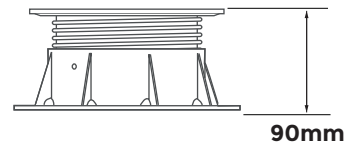
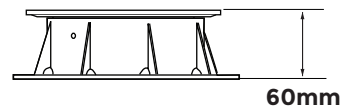
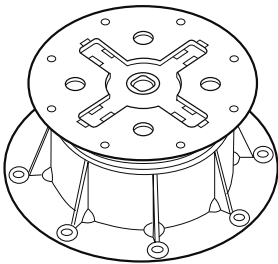
PB-01 28-42mm



PB-1 42-60mm



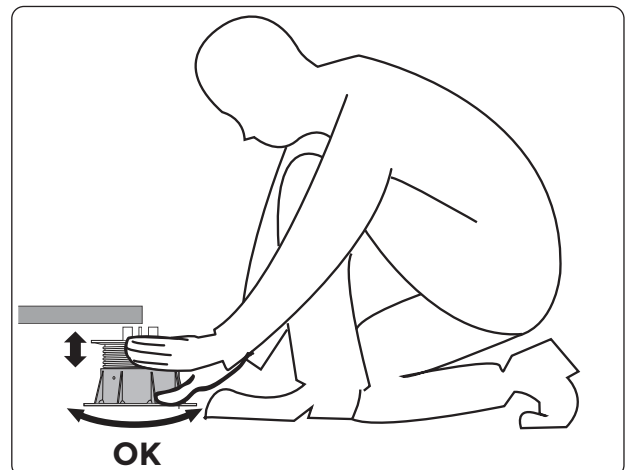
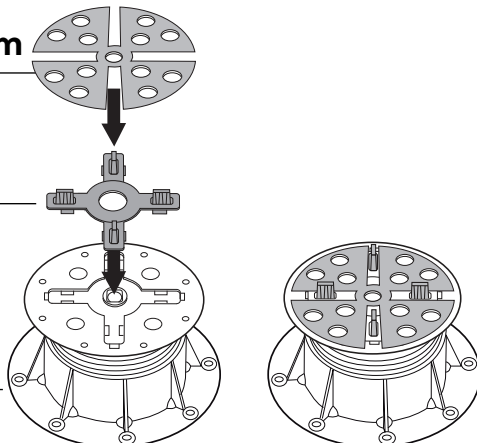
PB-2 60-90mm



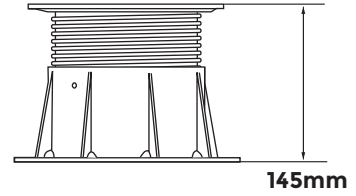
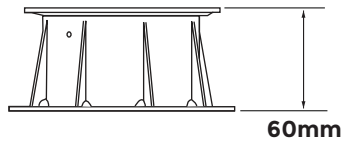
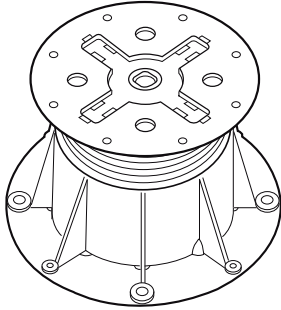
U-E20 2mm

PB-Tabs

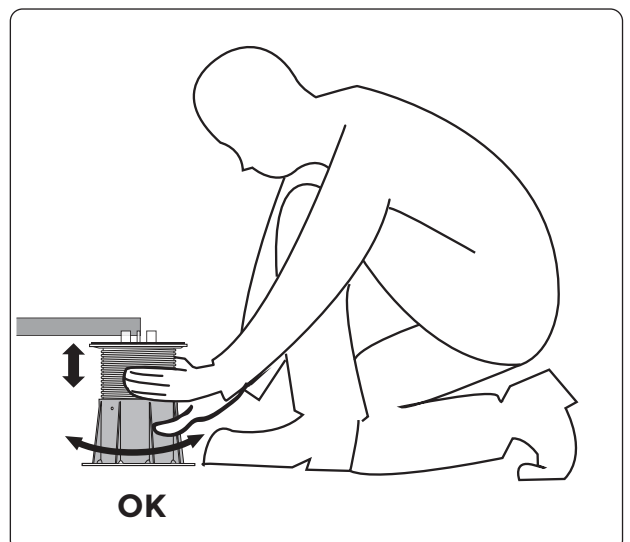
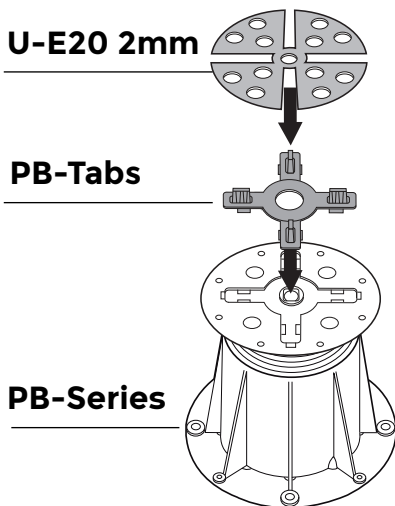
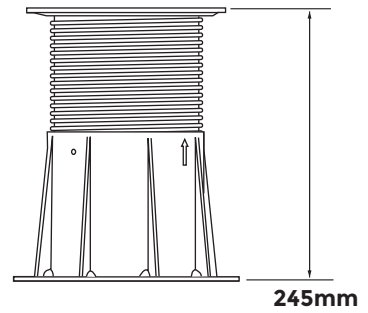
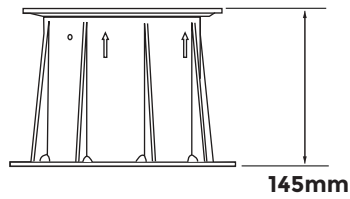
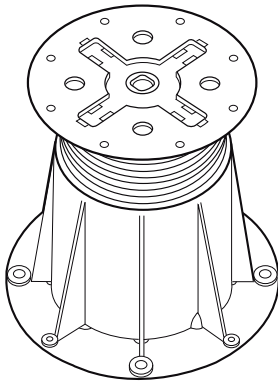
PB-Series

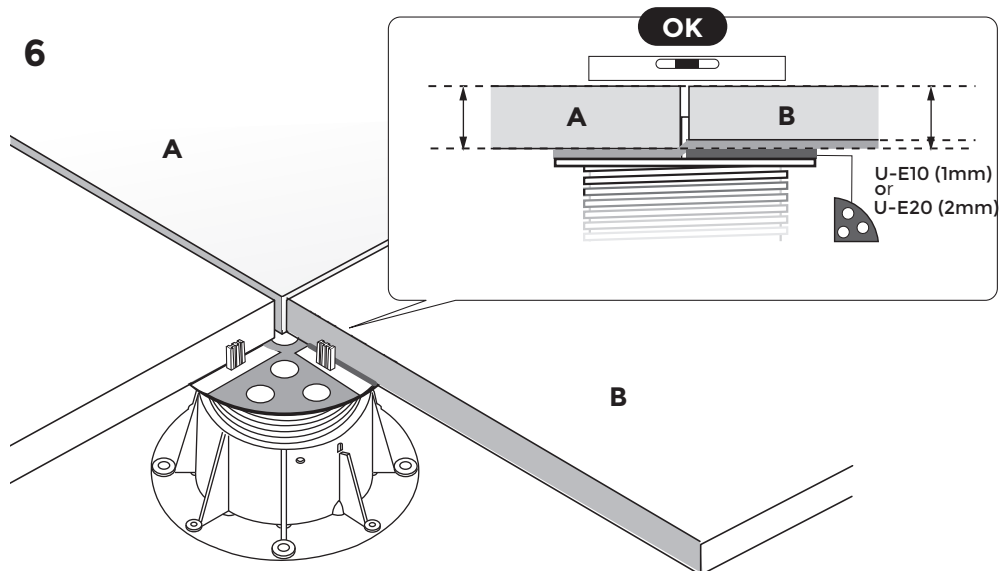
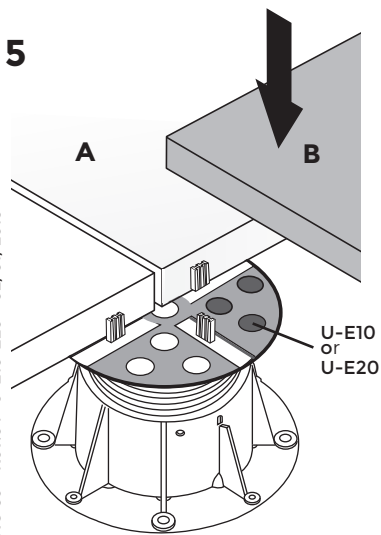
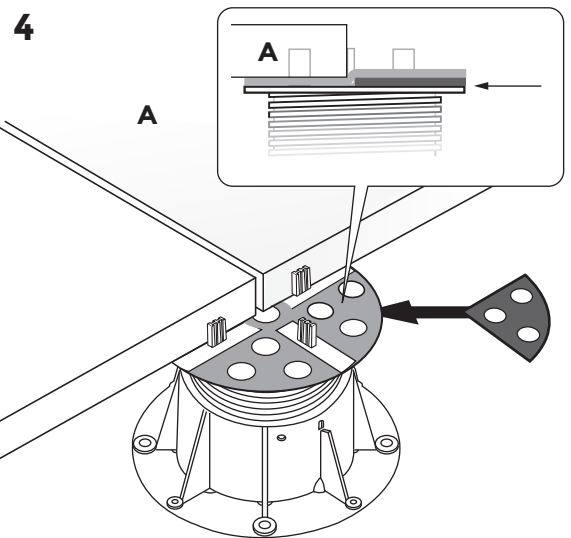
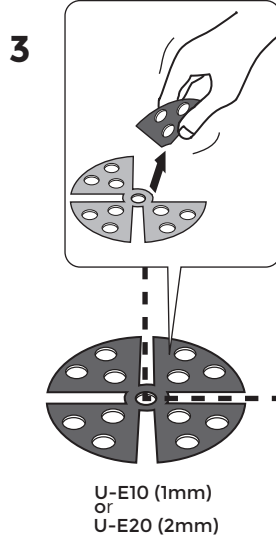
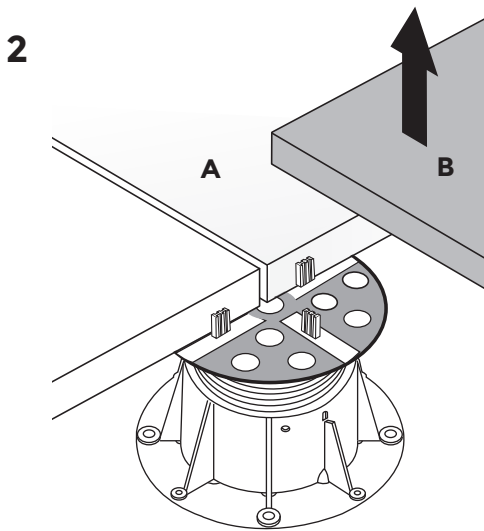
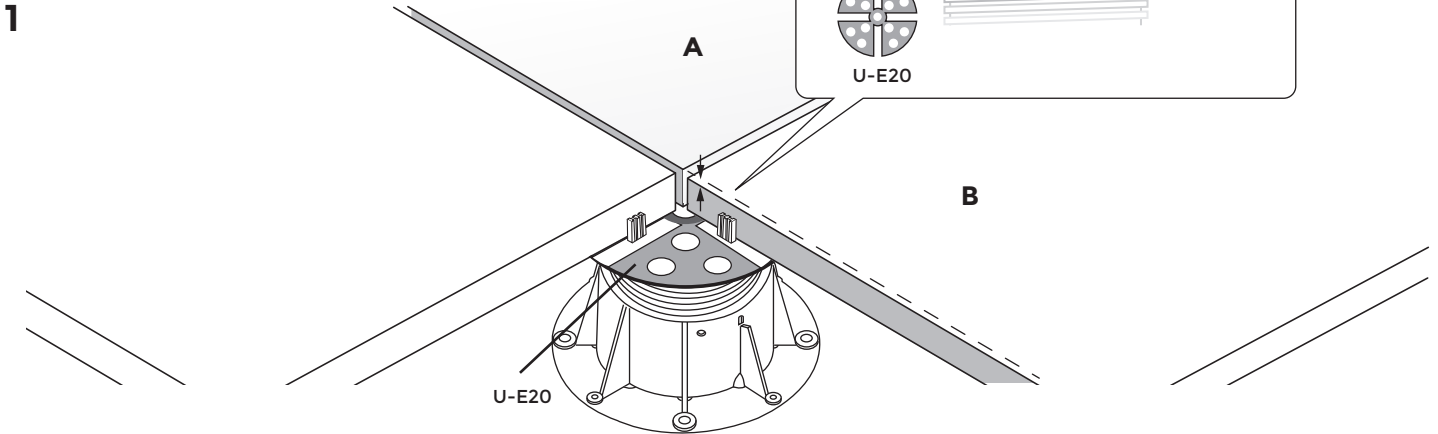
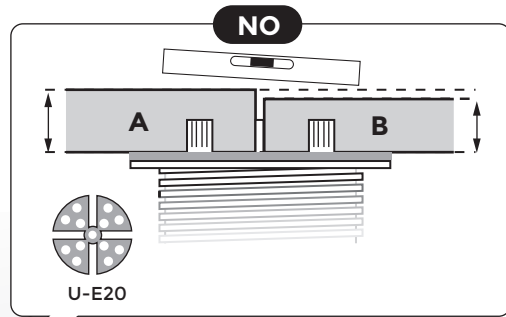
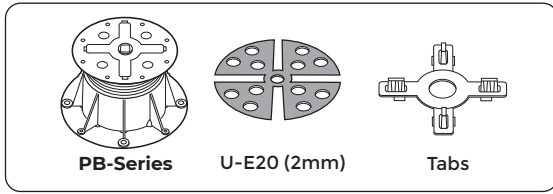


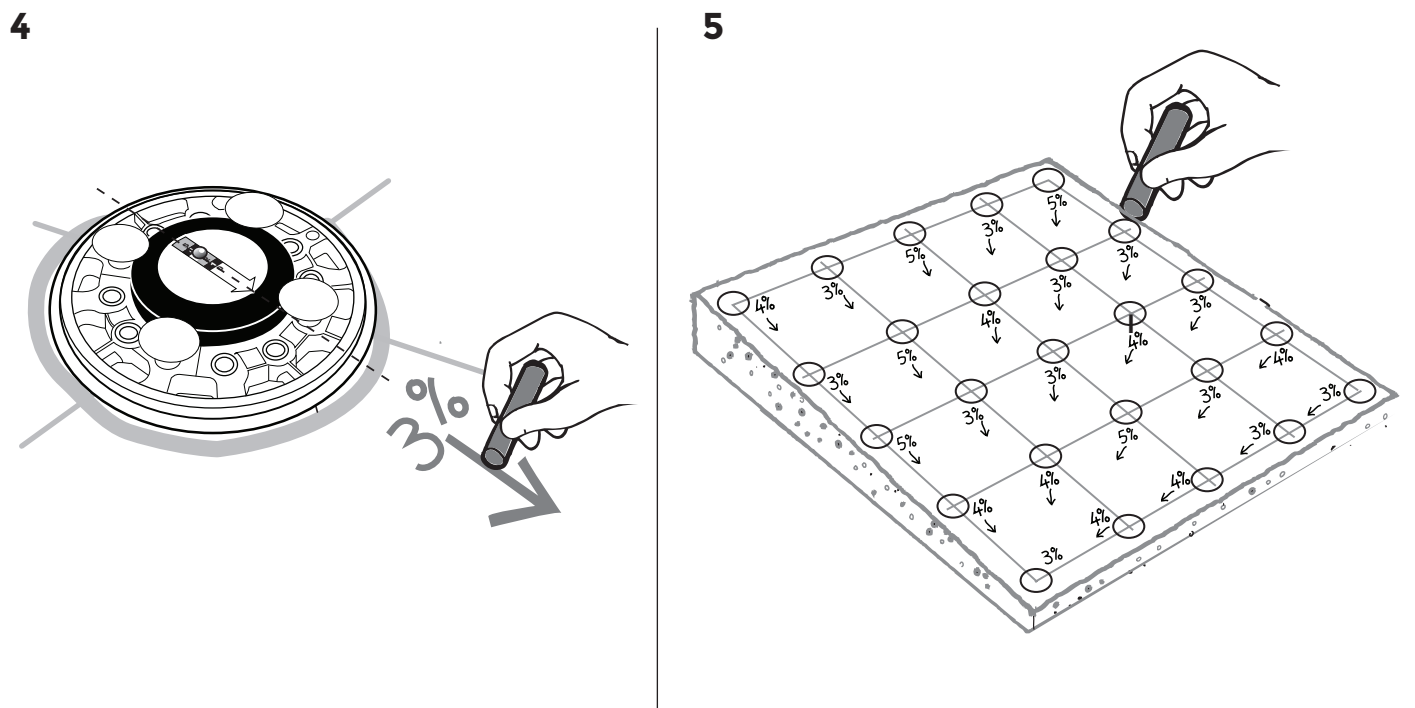
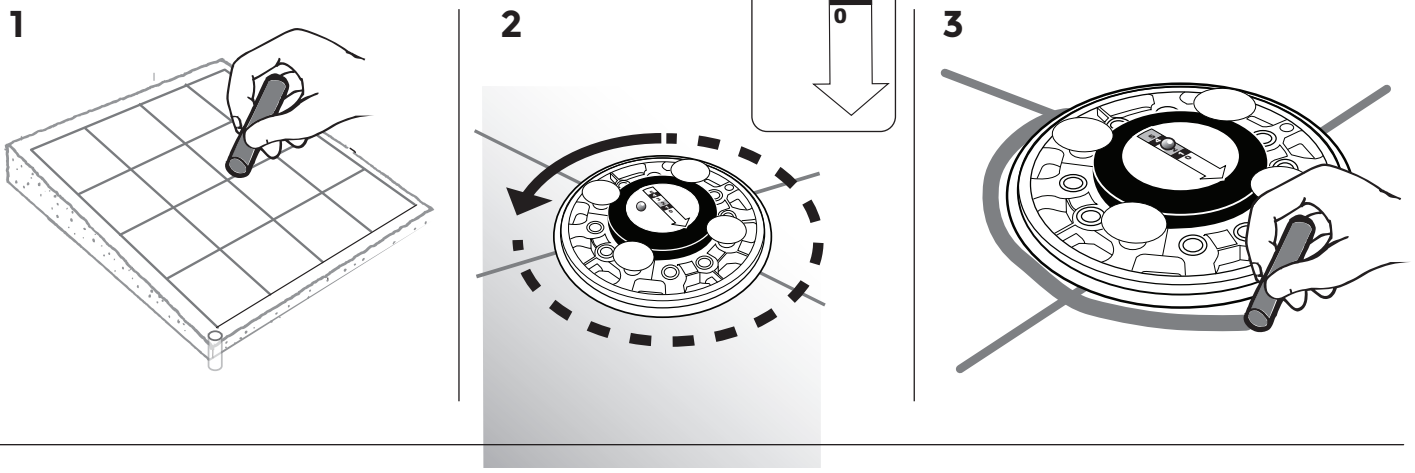
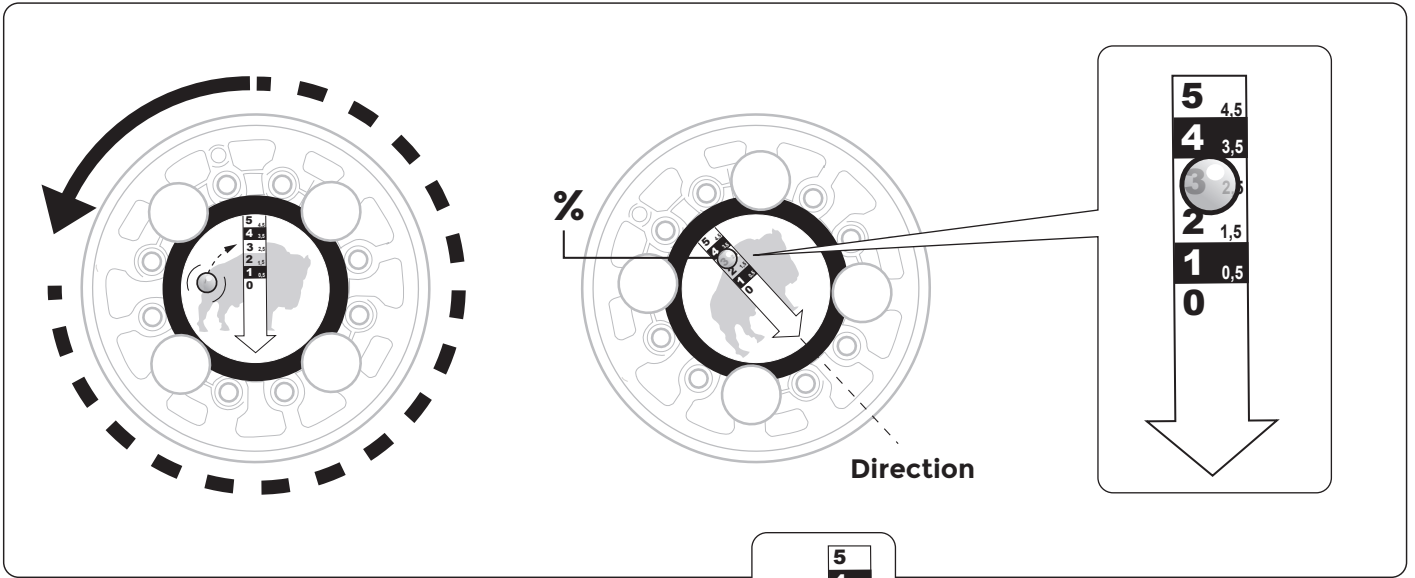
PB-3 90-145mm

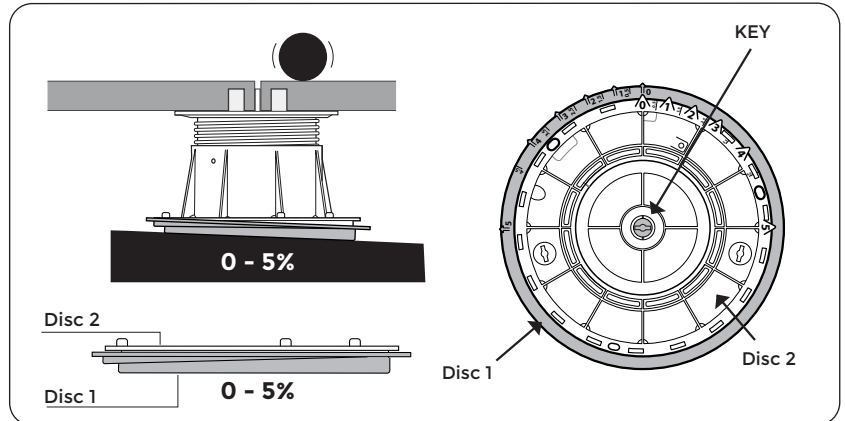
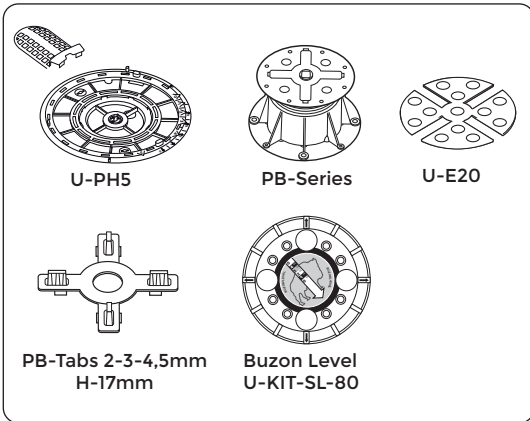


PB-4 145-245mm

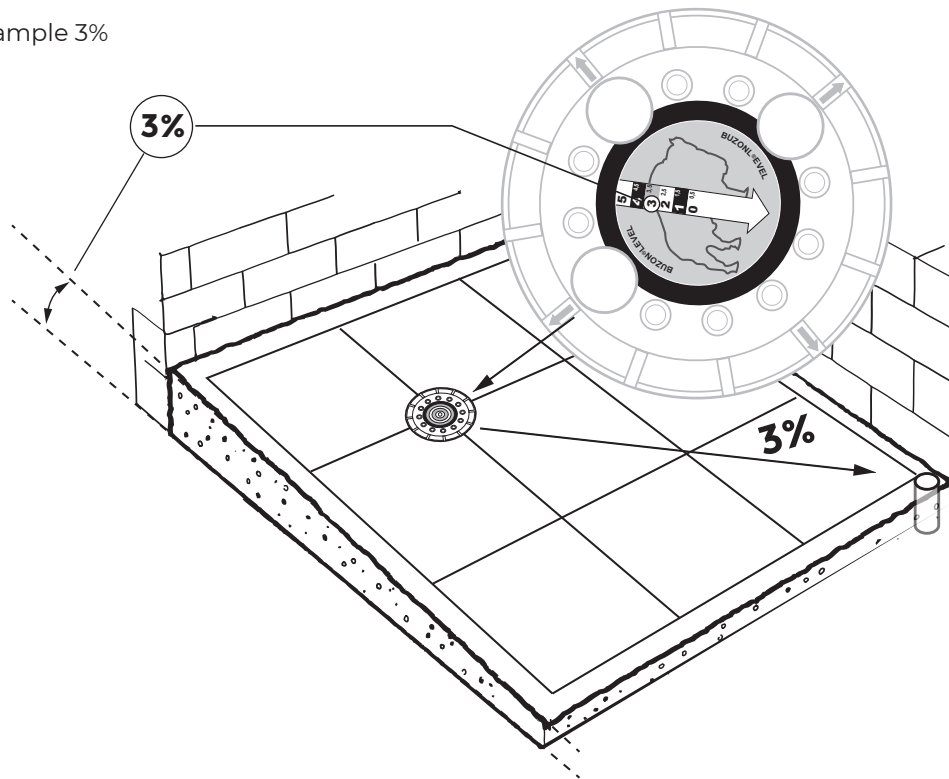




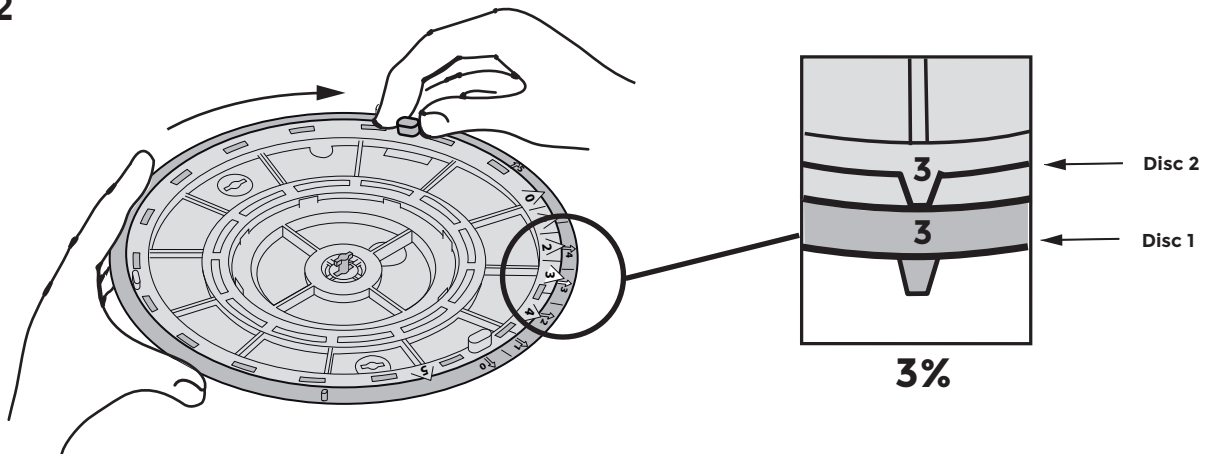


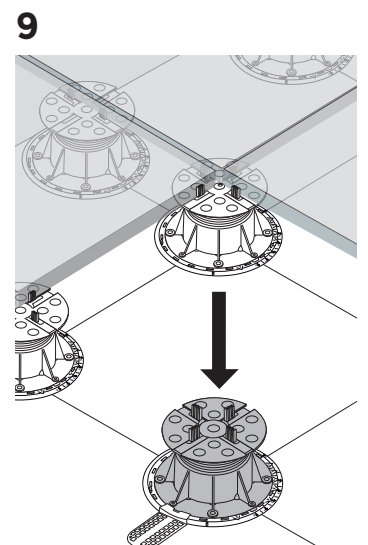
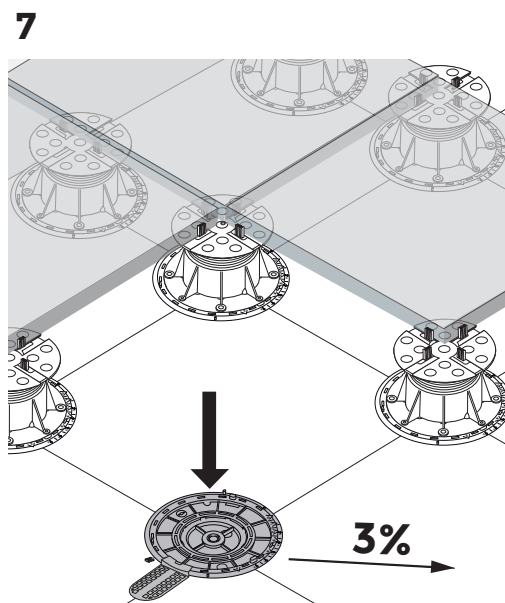
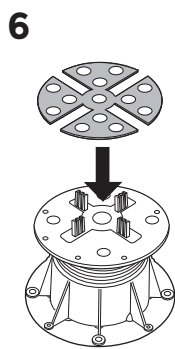
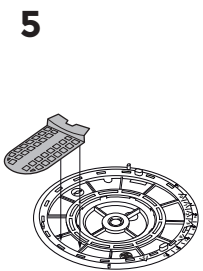
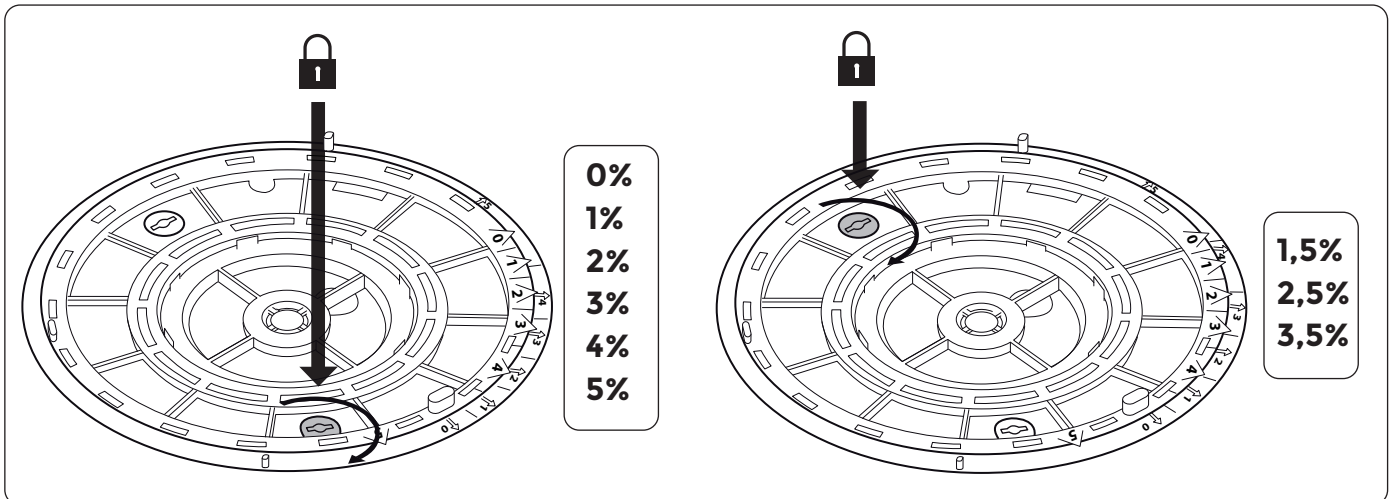
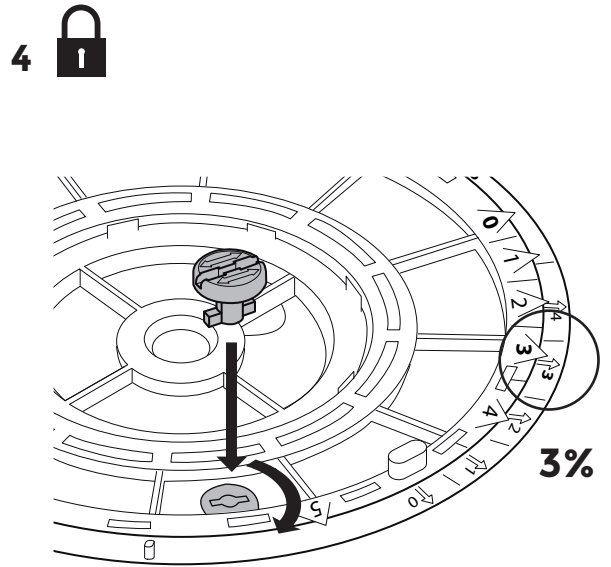
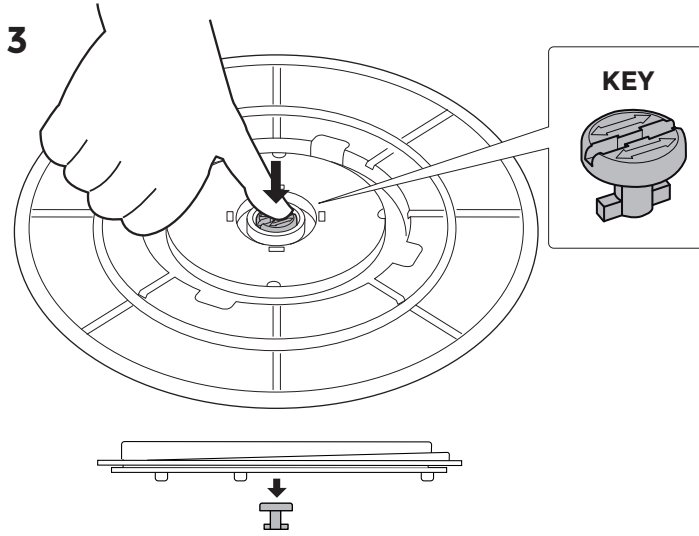


1 Example 3%

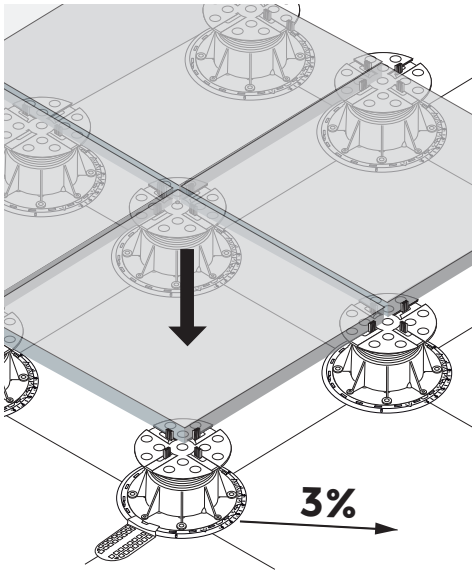


2

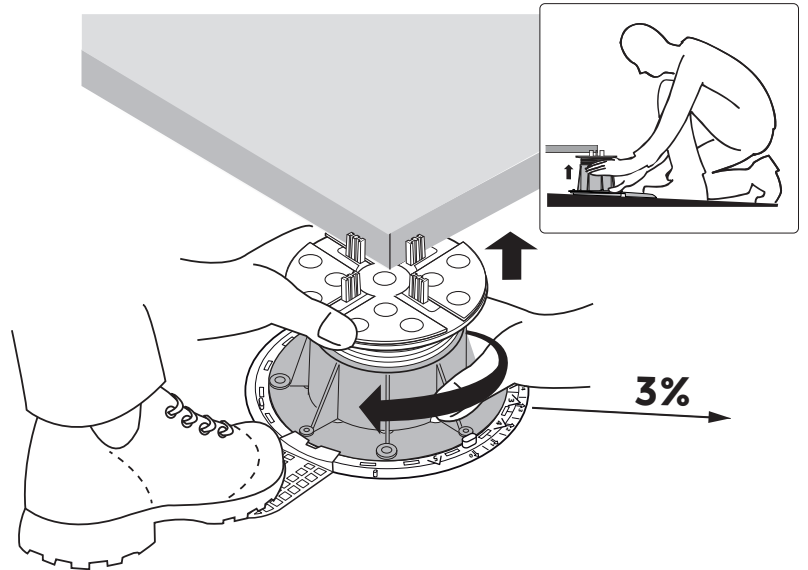




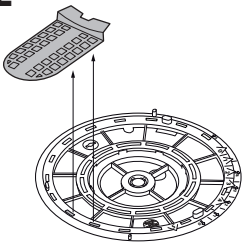
10



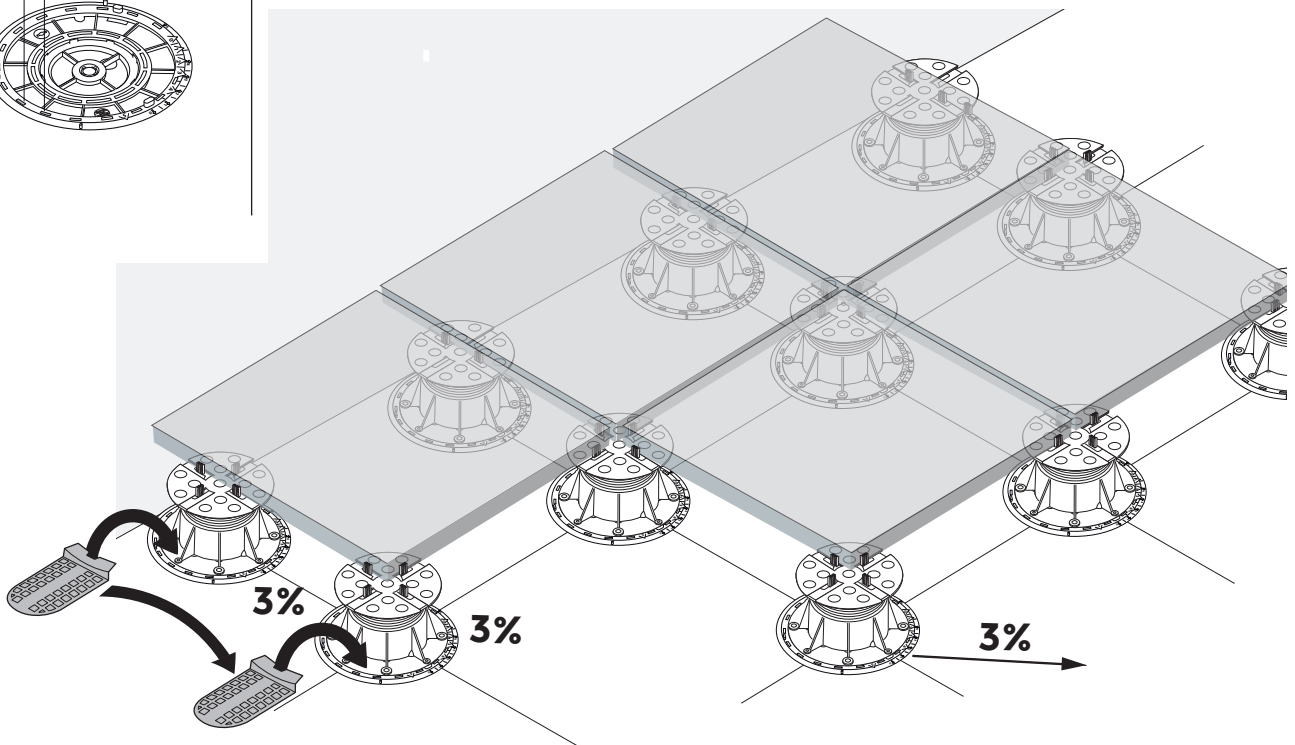
11

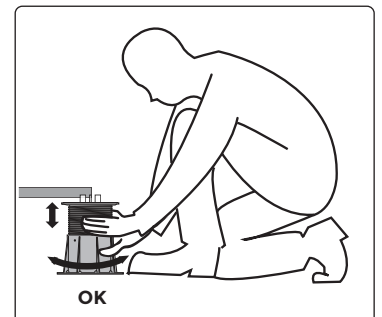
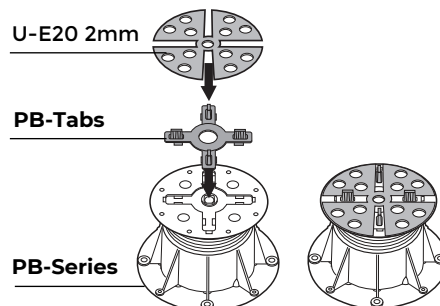
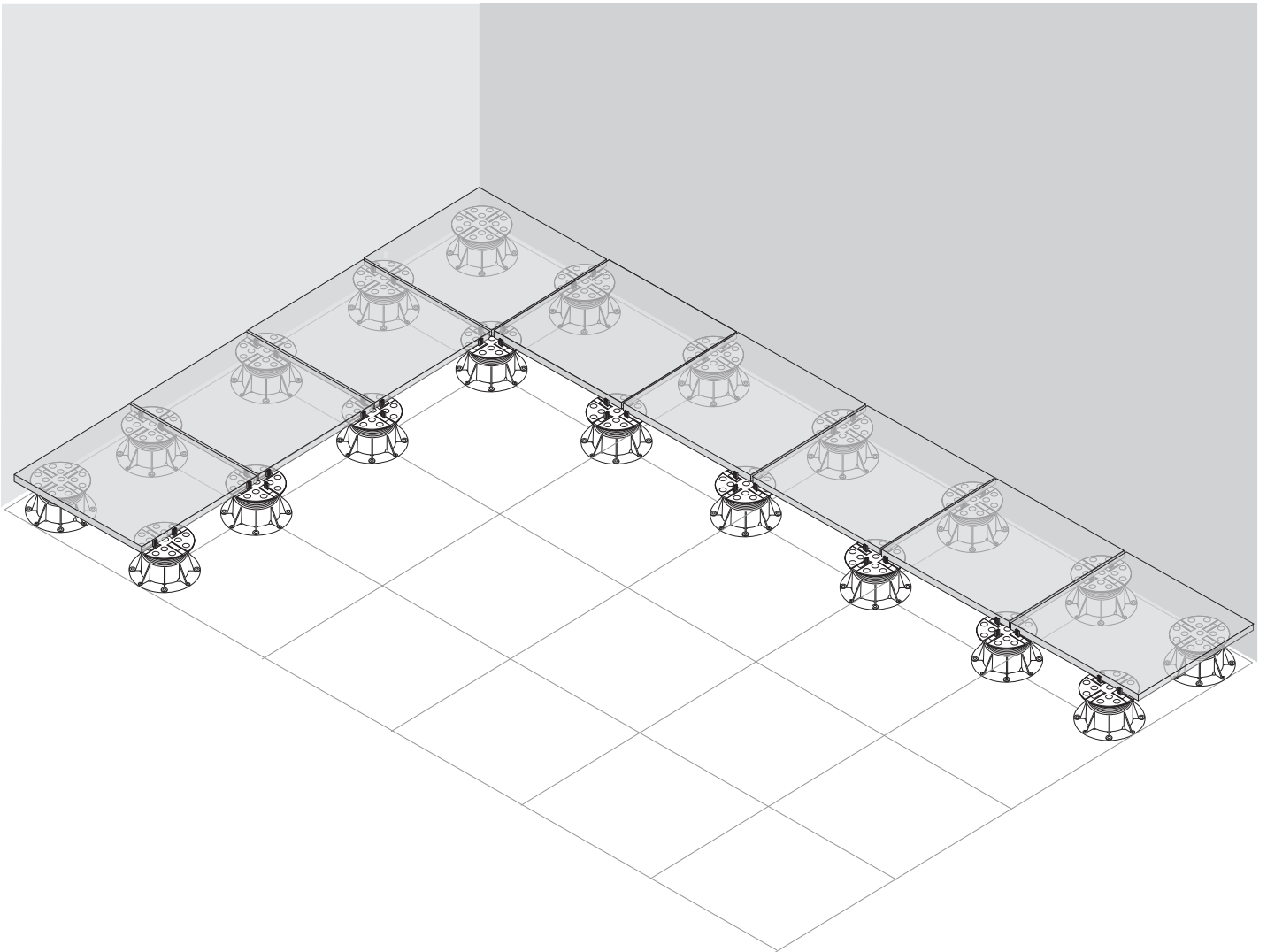


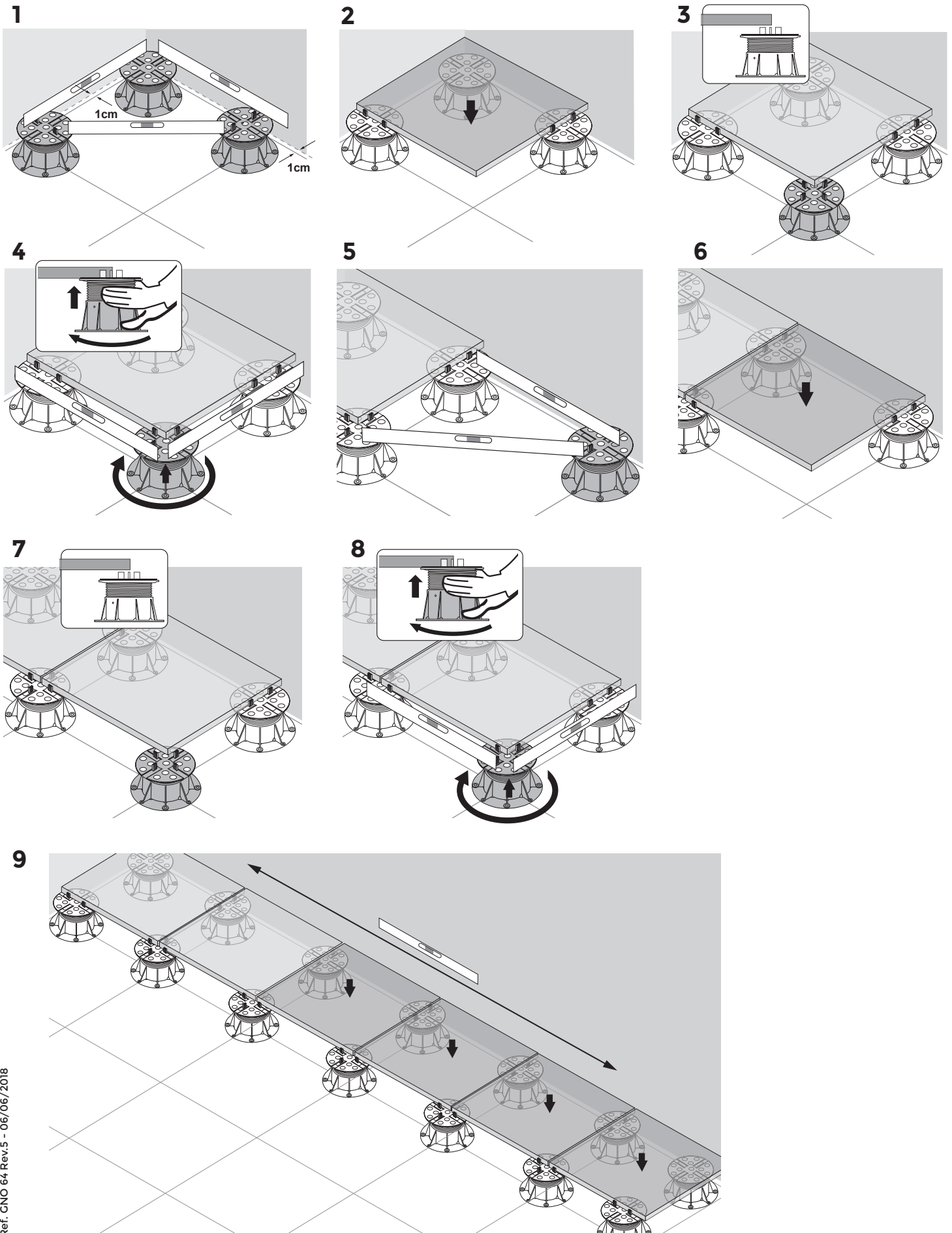
12



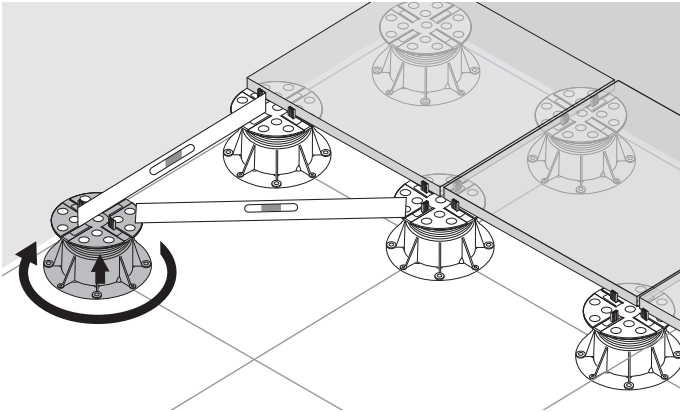
13



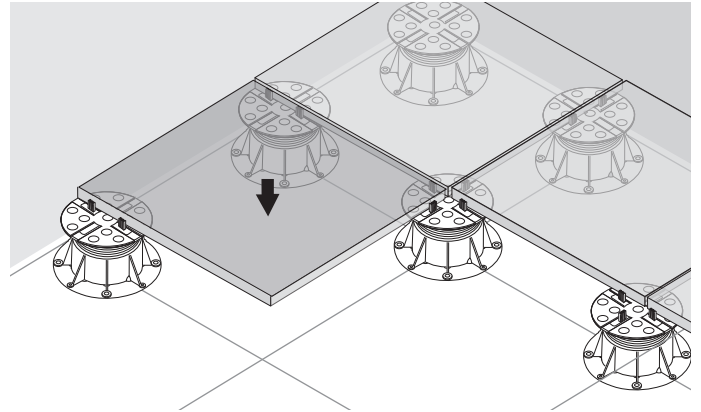




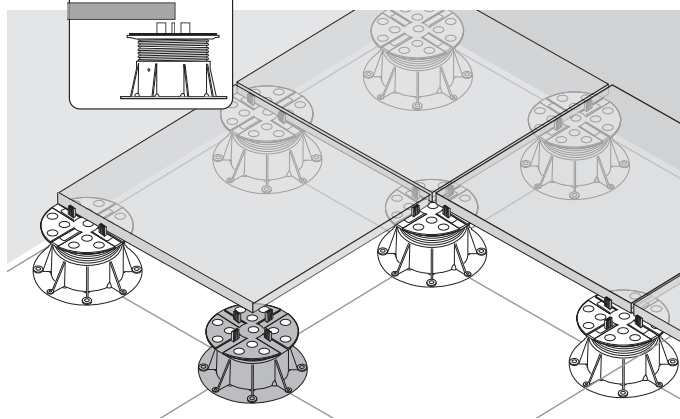
10



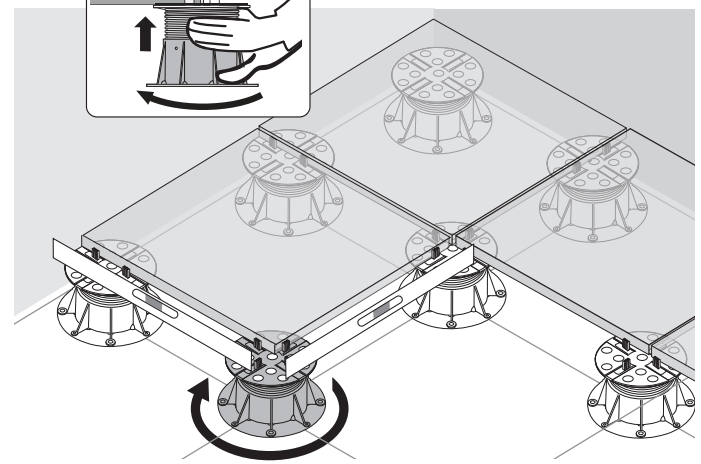
11



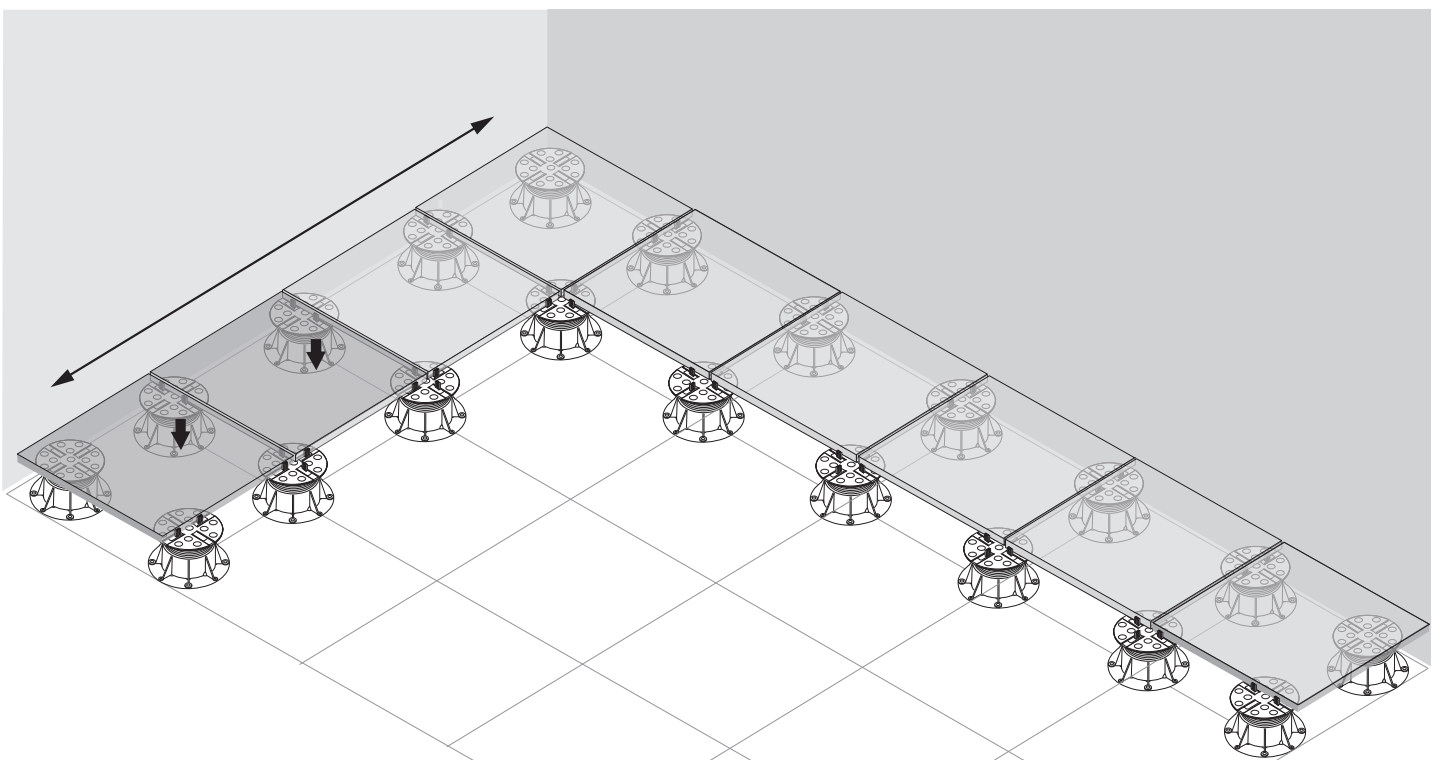
12

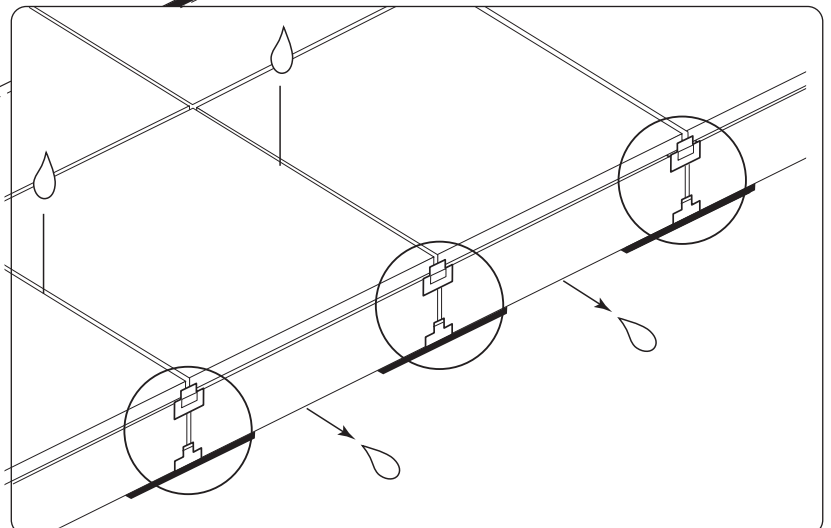
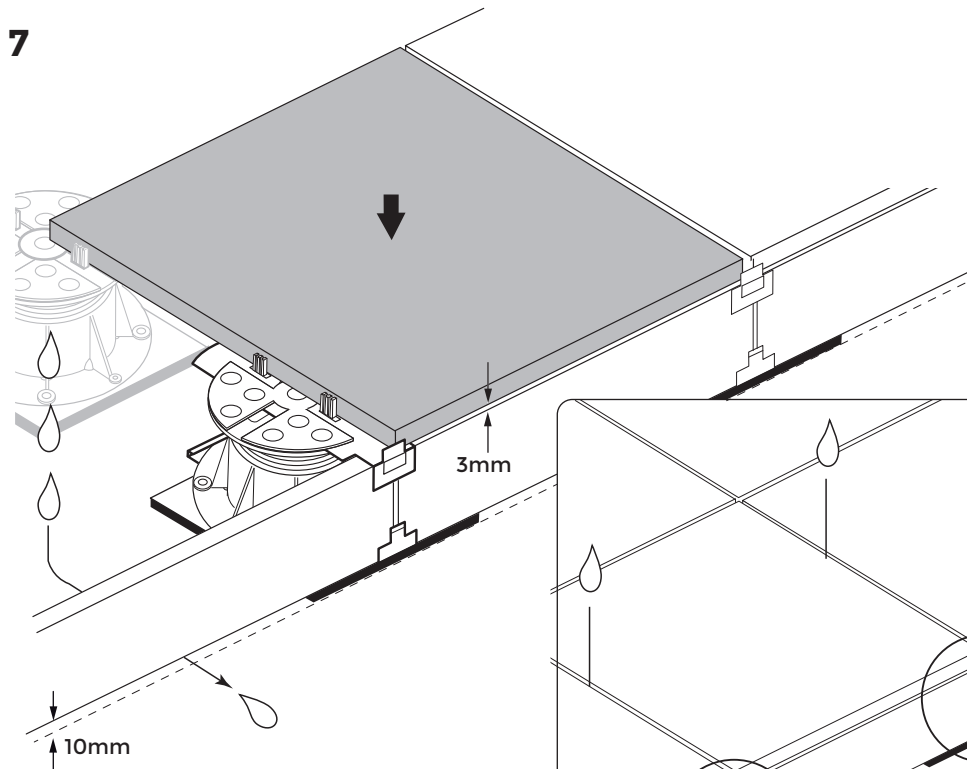
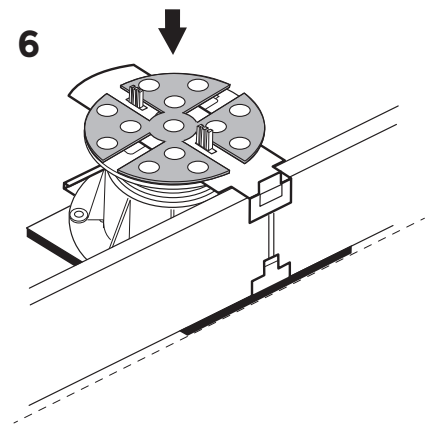
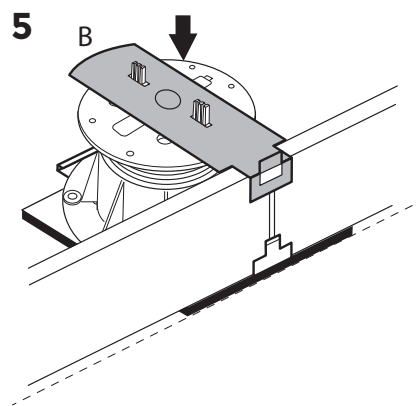
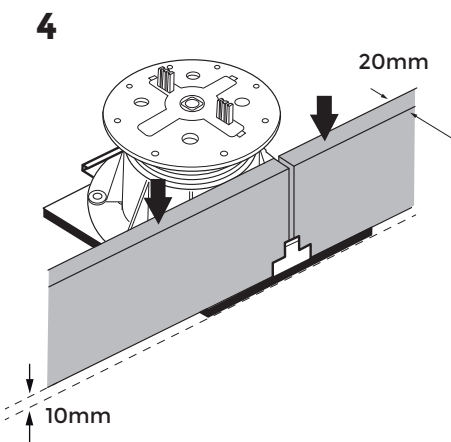
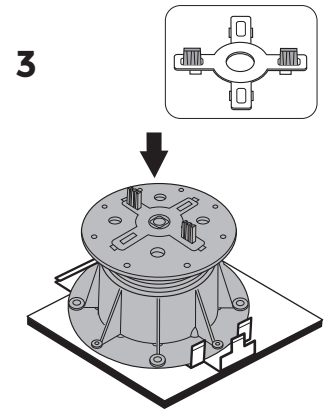
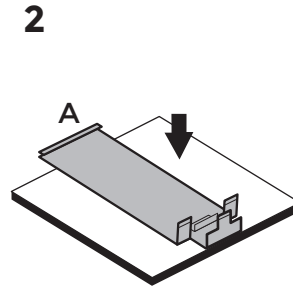
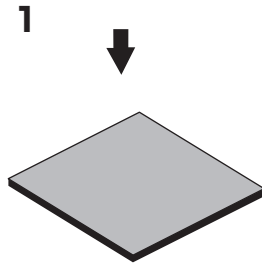
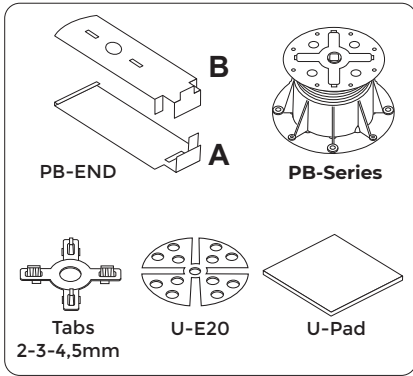


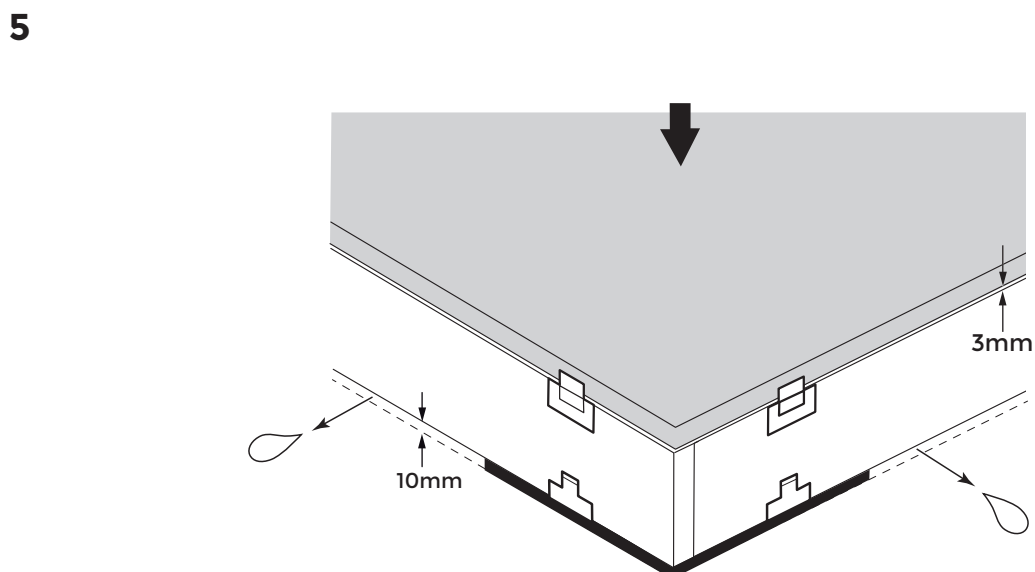
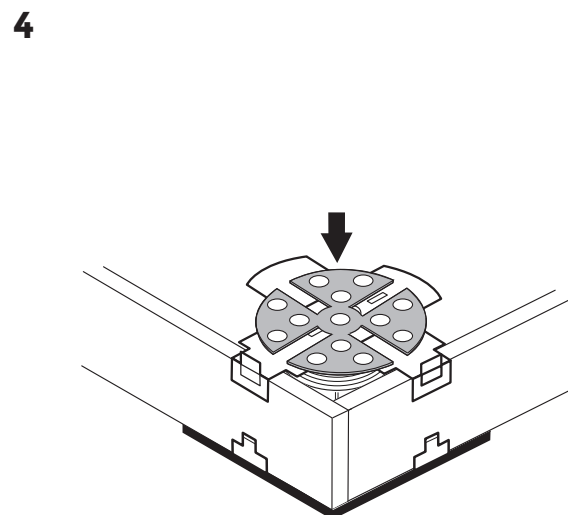
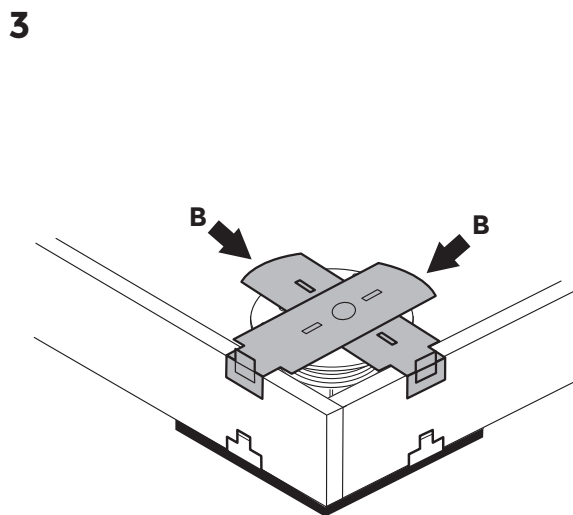
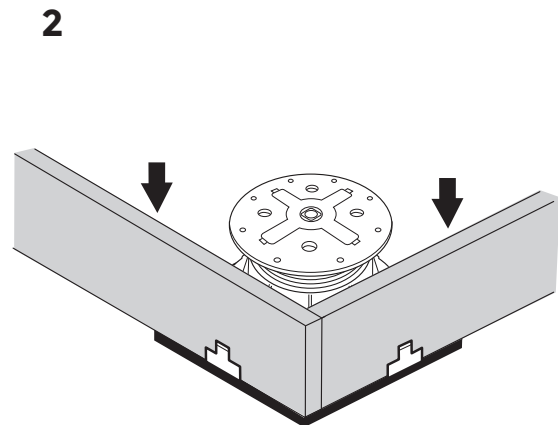
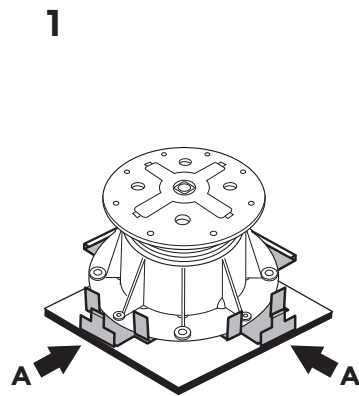
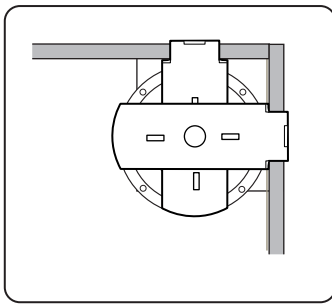
13

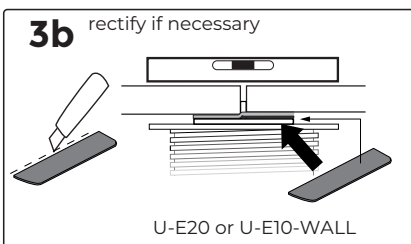
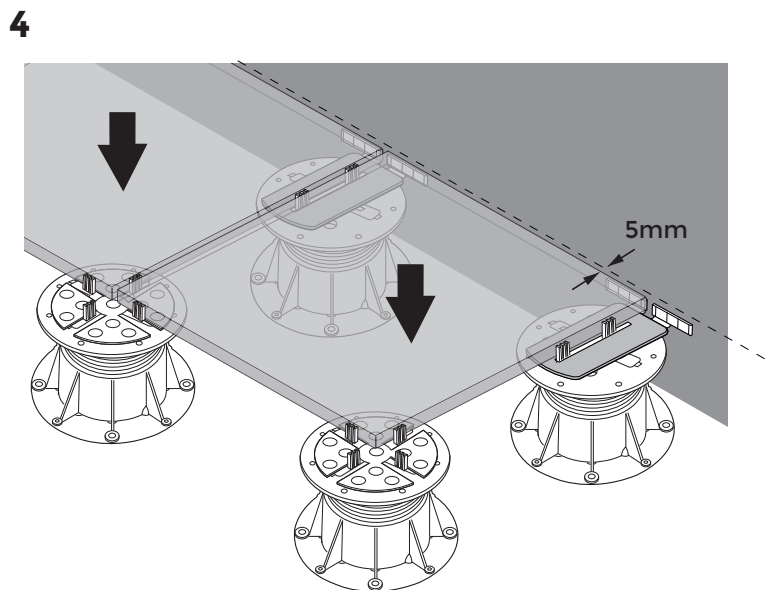
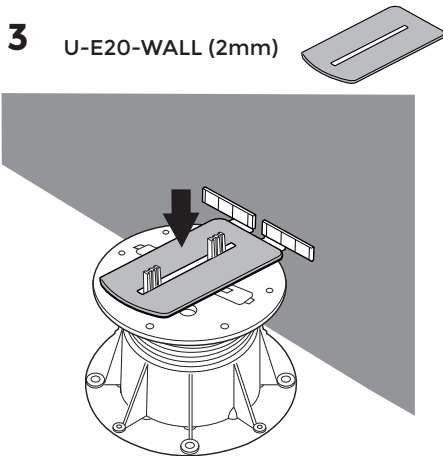
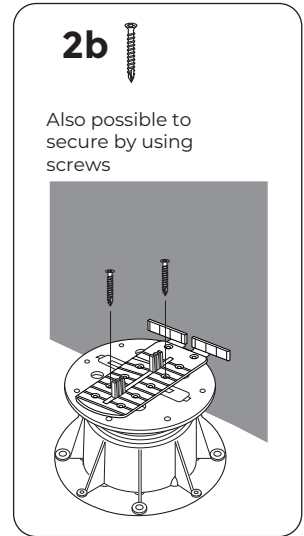
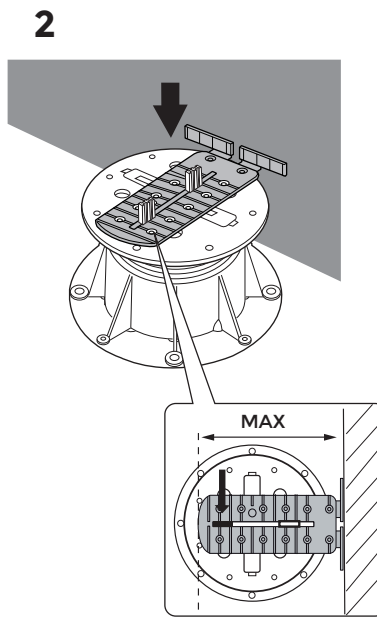
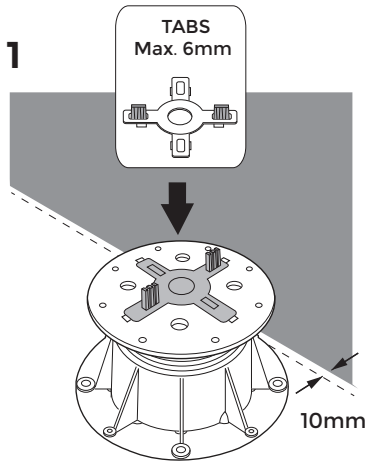
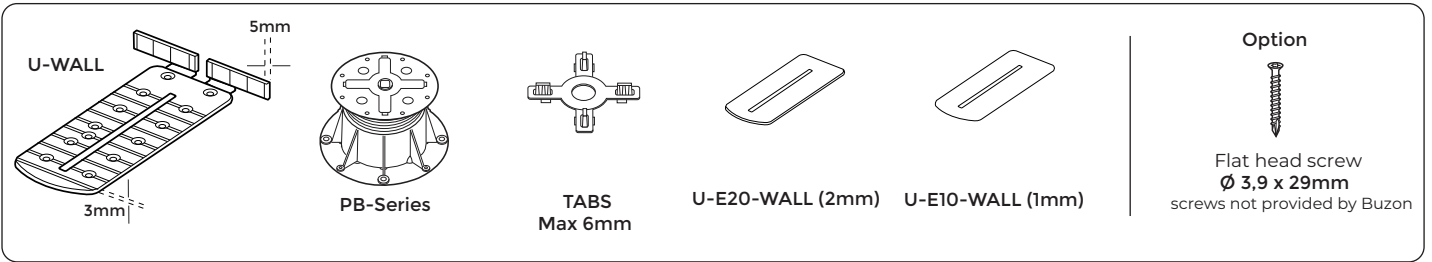


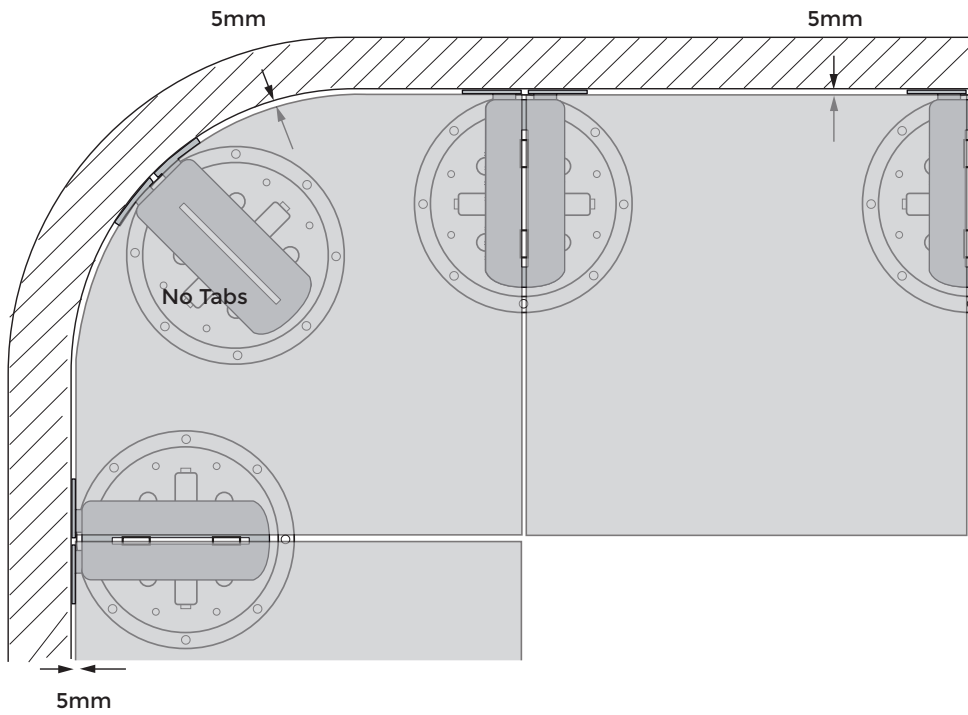
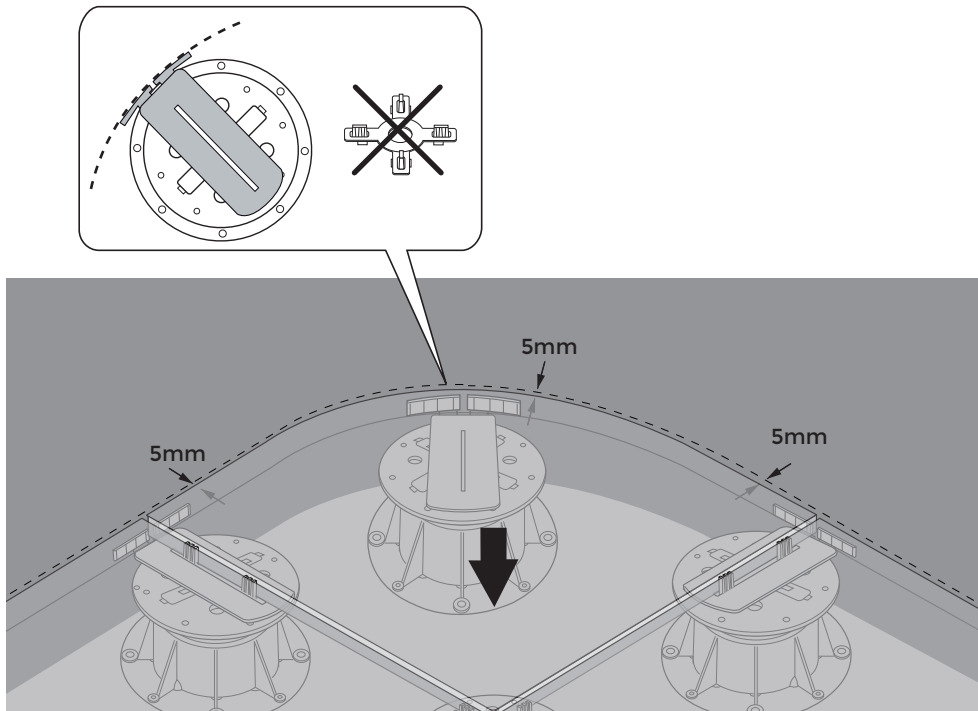
14

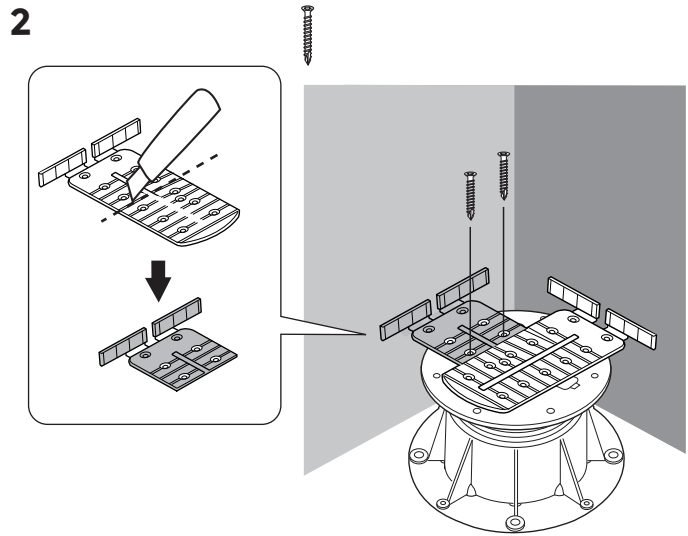
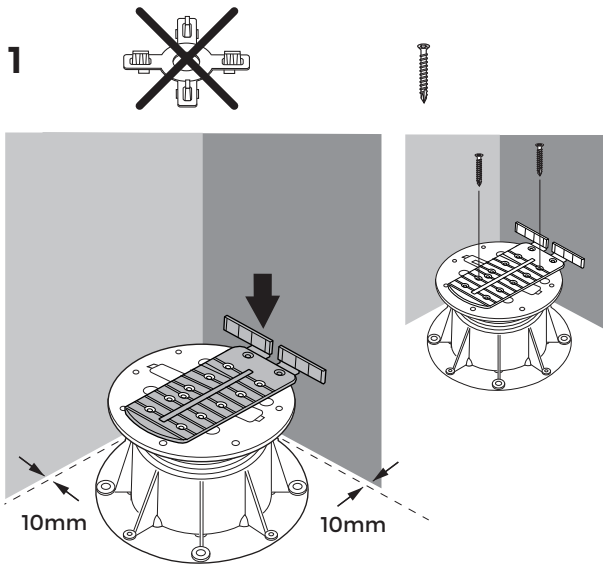




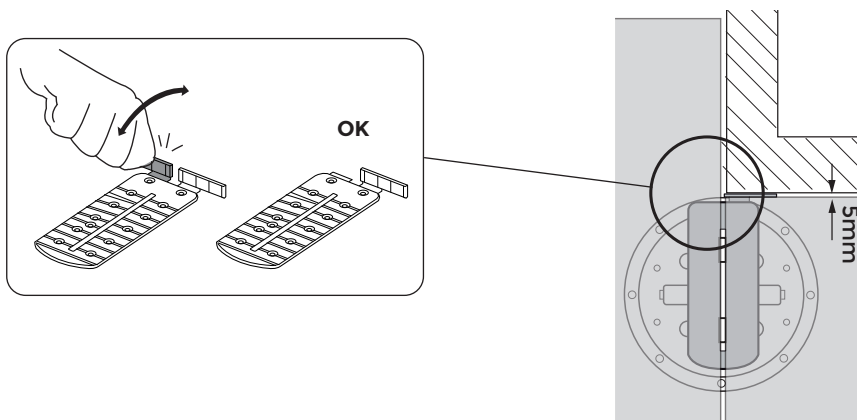
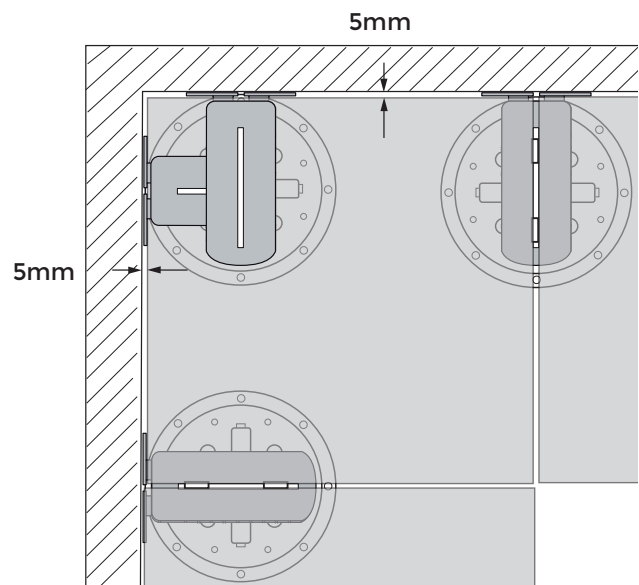
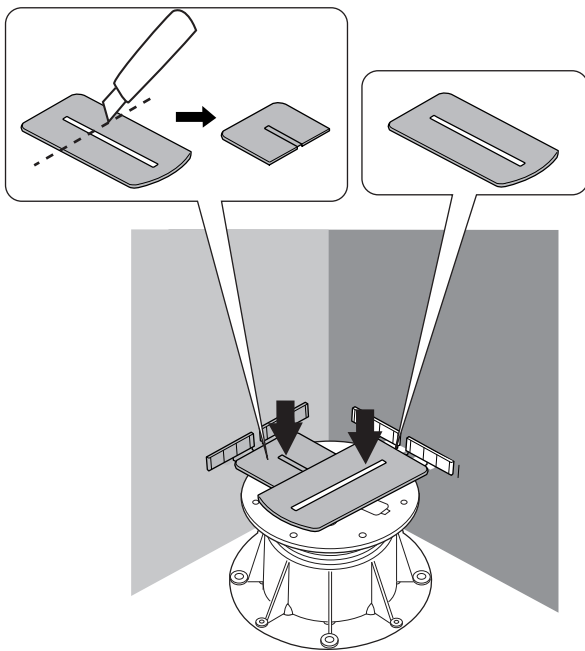


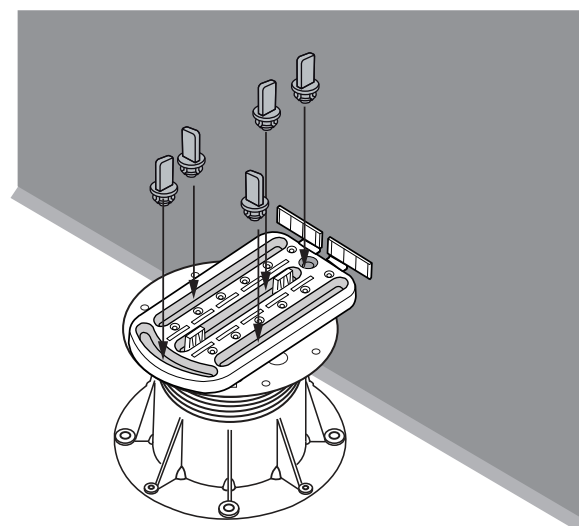
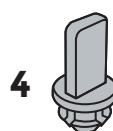
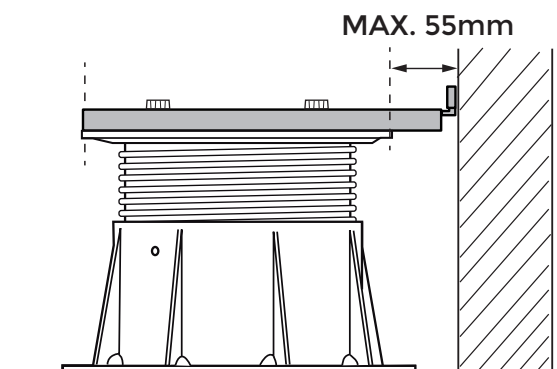
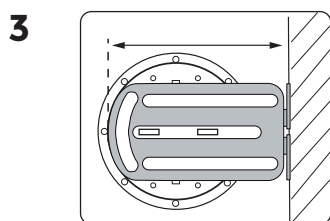
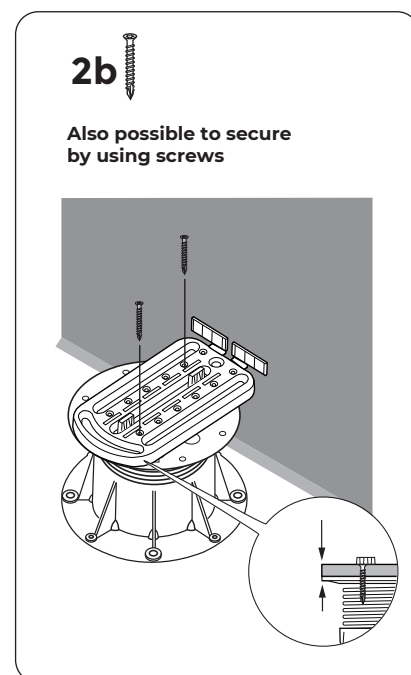
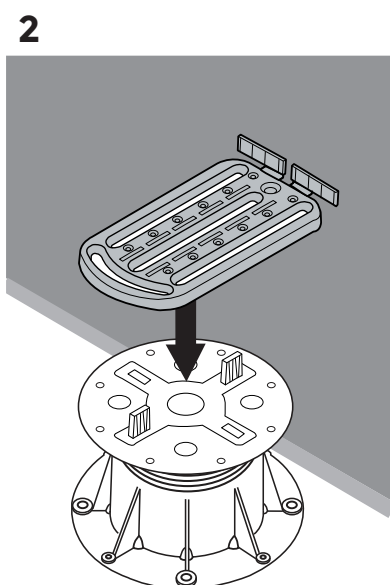
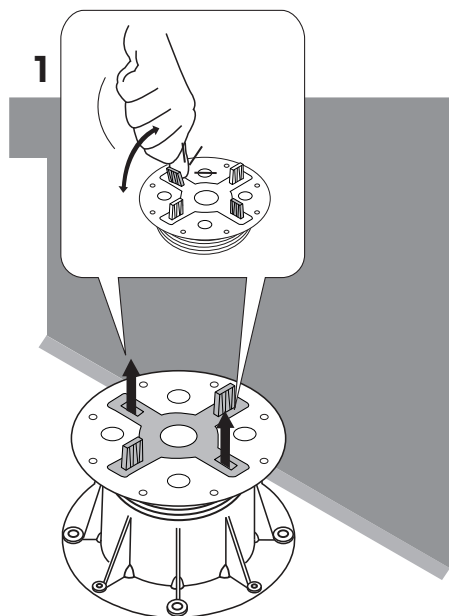
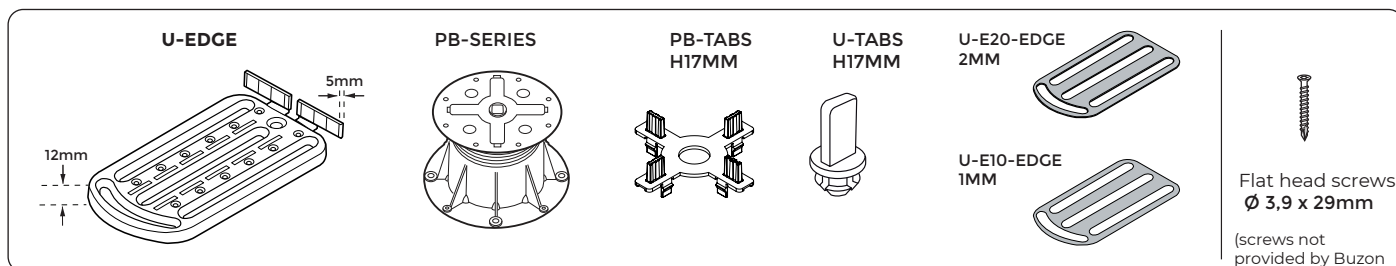




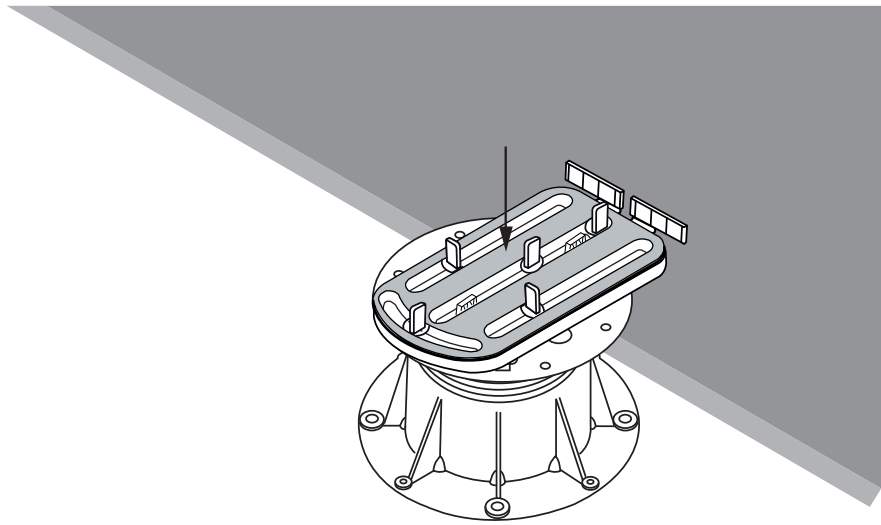
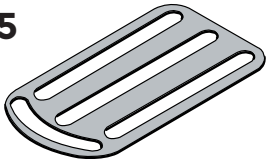


3 U-E20 wall shim

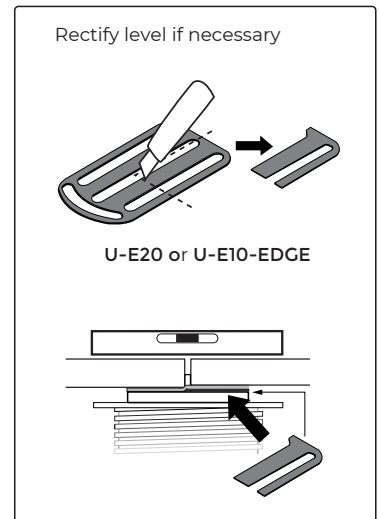
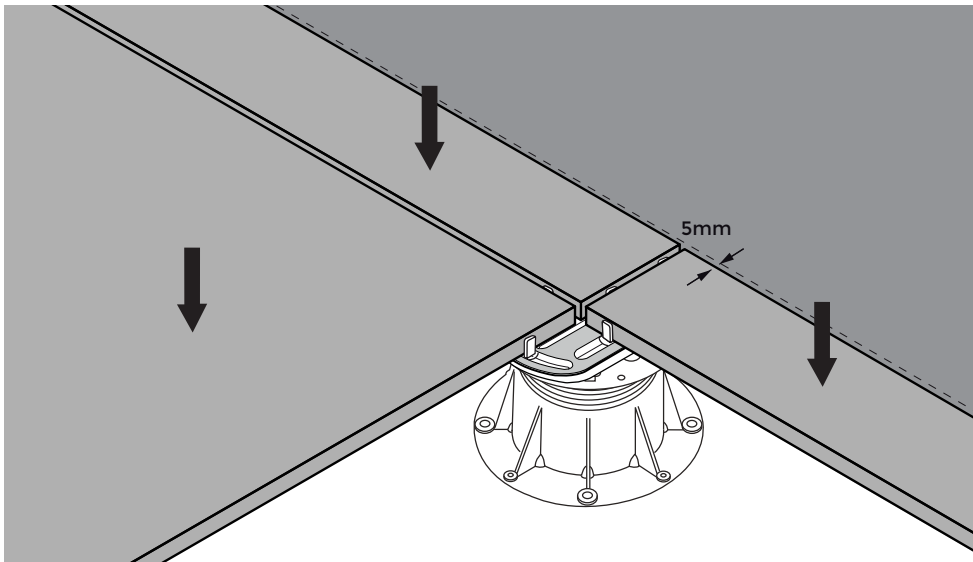




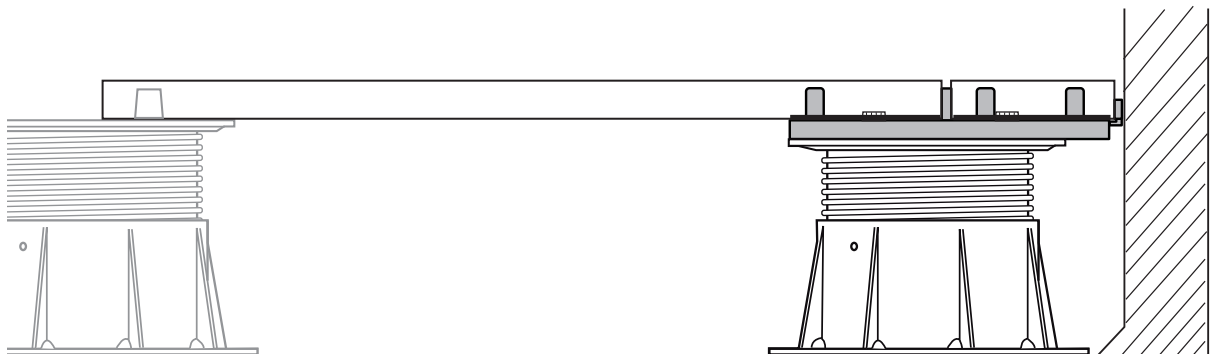
5

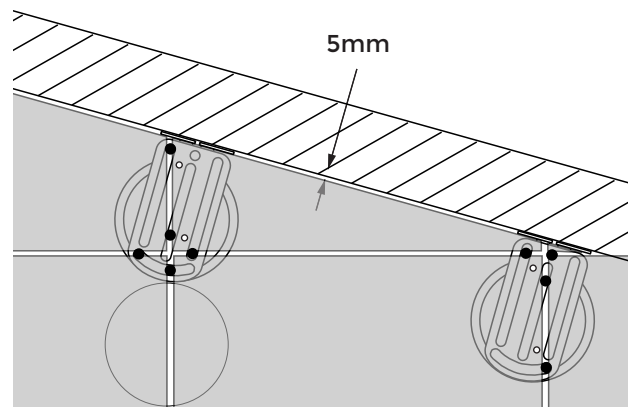
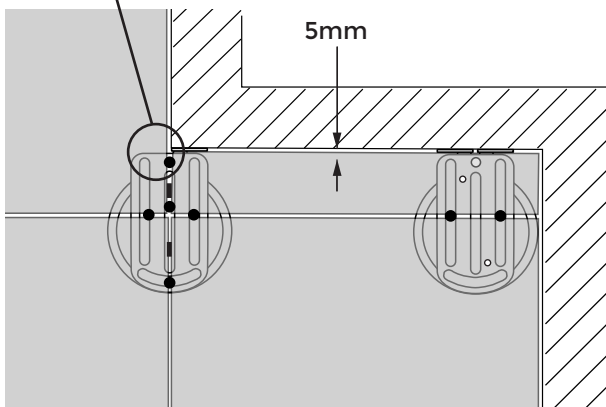
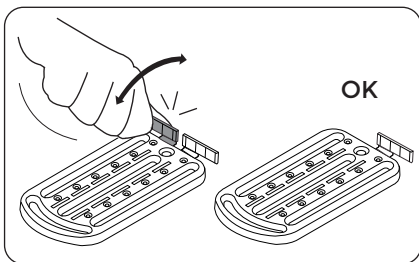
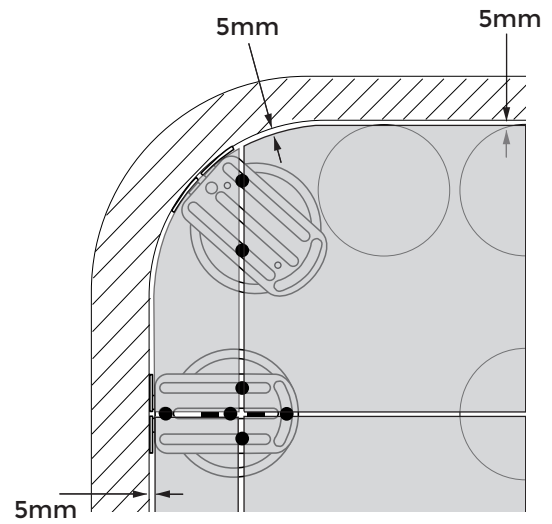
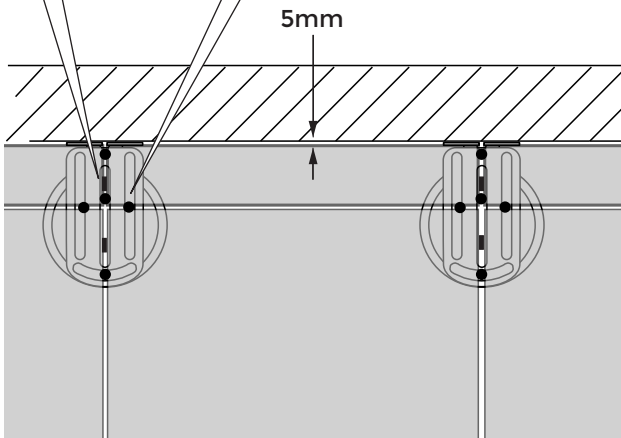
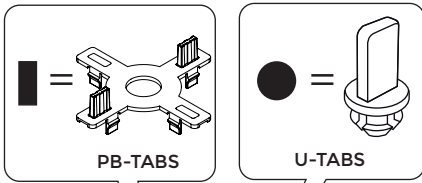
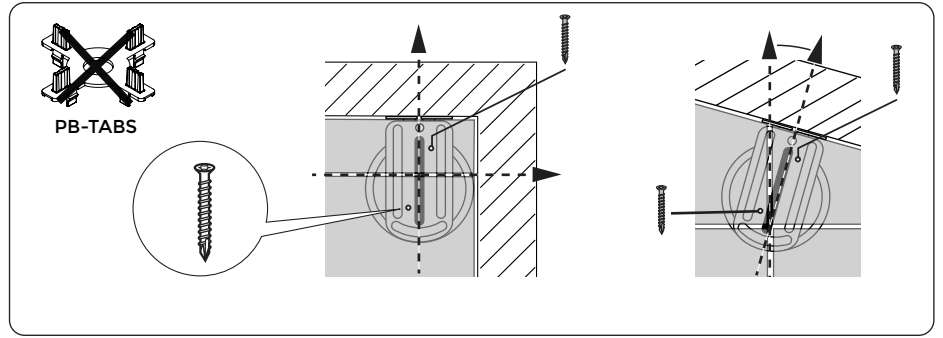
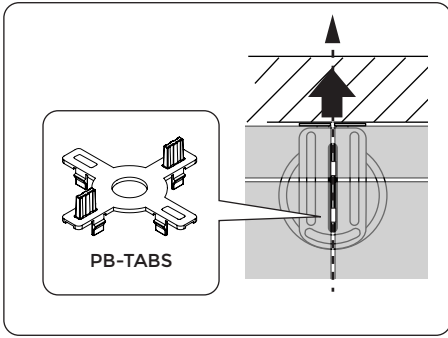


6

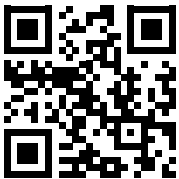
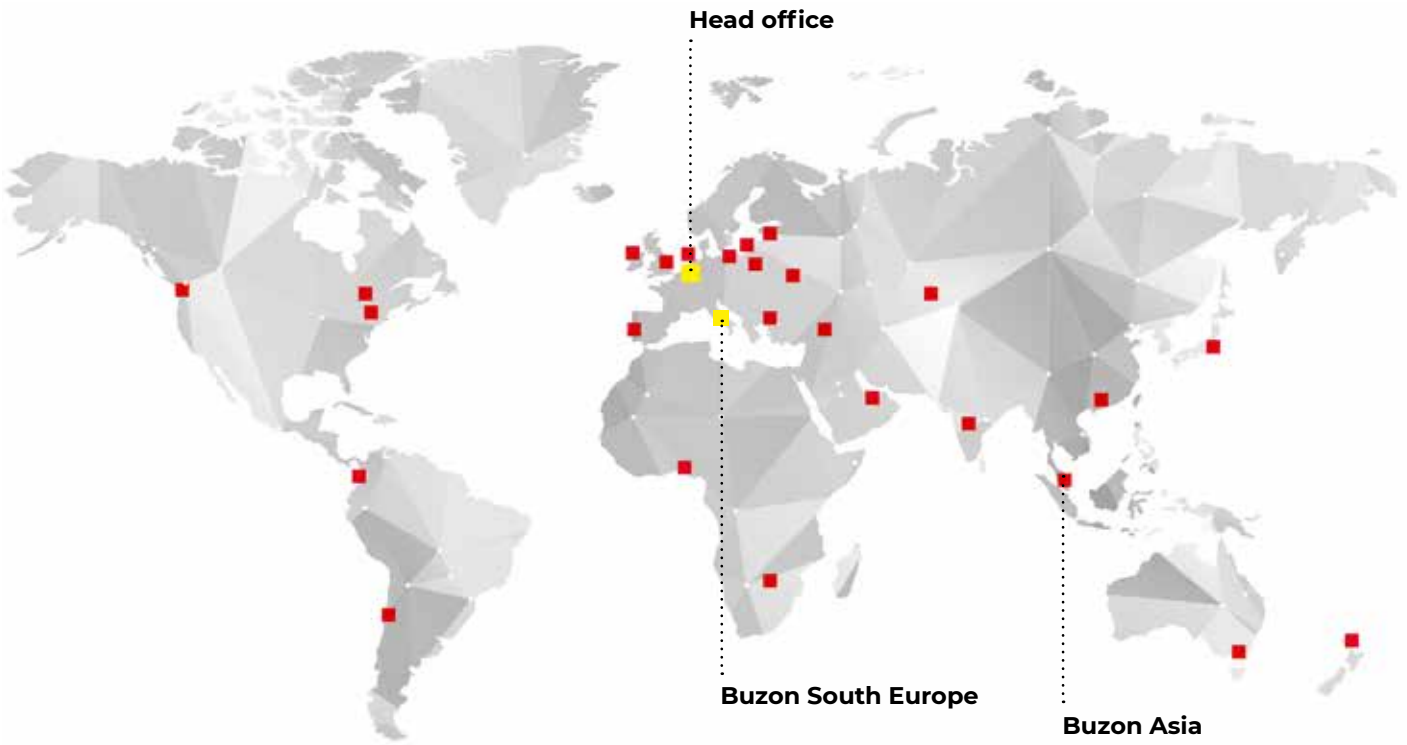


7





Our partners around the world



043-055-1351
Made from min. 50%
recycled material



Buzon®

Parc Industriel des Hauts-Sarts
4ème Avenue, 25
4040 Herstal-BELGIQUE
Tel. : +32 (0)4 248 39 83
E-mail : sales@bpi.be

